

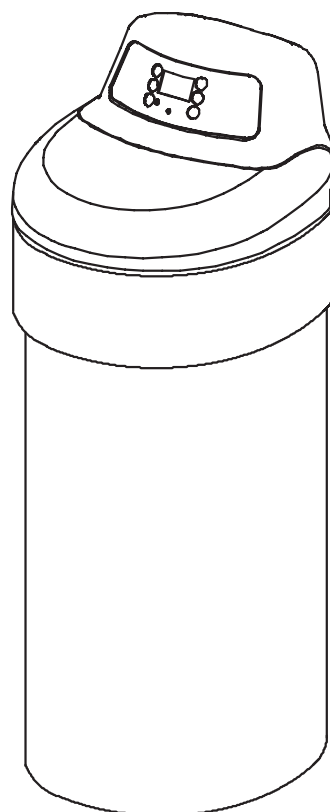
OWNER'S MANUAL



Water Softener

with Deluxe Valve

IntelliSoft 350 Series
MODEL NO. 625.383560



Caution:

Read and follow all safety rules and operating instructions before first use of this product.

Questions ?

Visit www.KenmoreWater.com
or call toll free 1-800-426-9345 (M - F, 7 AM - 6 PM CST)

Repair or Parts ? Call toll free 1-800-469-4663

See back cover for other Sears service numbers.

SAVE THIS MANUAL

Use the plastic bag and tie provided, to hang manuals nearby the softener for future reference.

- Warranty
- Installation
- Start Up / Setting Timer
- How It Works
- Care Of
- Specifications
- Repair Parts

System tested and certified by NSF
International against NSF/ANSI Standard 44
for water softener performance.



Printed on recycled paper

Sears Brands Management Corporation, Hoffman Estates, IL 60179 U.S.A.

WARRANTY ON WATER SOFTENER

ONE YEAR LIMITED WARRANTY ON WATER SOFTENER

When installed, operated and maintained according to all instructions supplied with the product, if this Kenmore appliance fails due to a defect in material and workmanship within one year from the date of purchase, call 1-800-4-MY-HOME® to arrange for free repair.

TEN YEAR LIMITED WARRANTY AGAINST LEAKS

When installed, operated and maintained according to all instructions supplied with the product, if the water softener tank or salt storage drum develops a leak within ten years from the date of purchase, call 1-800-4-MY-HOME® to arrange for free tank or drum replacement. After the first year you must pay an initial trip charge.

All warranty coverage does not include water softener resin, which is an expendable item.

If this water softener is ever used for other than private family purposes, all warranty coverage applies for only 90 days from the date of purchase.

This warranty covers only defects in material and workmanship. Sears will NOT pay for:

1. A service technician to instruct the user in correct product installation, operation or maintenance.
2. A service technician to clean or maintain this product.
3. Damage to or failure of this product if it is not installed, operated or maintained according to the all instructions supplied with the product.
4. Damage to or failure of this product resulting from accident, abuse, misuse or use for other than its intended purpose.
5. Damage to or failure of this product caused by the use of detergents, cleaners, chemicals or utensils other than those recommended in all instructions supplied with the product.
6. Damage to or failure of parts or systems resulting from unauthorized modifications made to this product.

Disclaimer of implied warranties; limitation of remedies

Customer's sole and exclusive remedy under this limited warranty shall be product repair as provided herein. Implied warranties, including warranties of merchantability or fitness for a particular purpose, are limited to one year or the shortest period allowed by law. Sears shall not be liable for incidental or consequential damages. Some states and provinces do not allow the exclusion or limitation of incidental or consequential damages, or limitation on the duration of implied warranties of merchantability or fitness, so these exclusions or limitations may not apply to you.

This warranty applies only while this appliance is used in the United States or Canada.

This warranty gives you specific legal rights, and you may also have other rights which vary from state to state.

Sears Brands Management Corporation, Hoffman Estates, IL 60179
Sears Canada Inc., Toronto, Ontario, Canada M5B 2M5

Questions? Call The Kenmore Water Line 1-800-426-9345

TABLE OF CONTENTS

Safety Guides	4
Unpack and Check Shipment	5
Plan Your Installation: Tools Needed, Materials Needed	6-10
Install Inlet/Outlet Adapters or Bypass Valves, Three Way Valves	11-12
Install Softener and Connect Pipes	13
Connect Valve and Salt Tank Drains	14
Leak Test	15
Electrical Requirements	16
Install Covers and Restart Water Heater	17
Program the Timer	17-18
Sanitize the Water Softener	19
Add Salt to Storage Tank.....	20
Install Checklist	21
Faceplate Timer Features	22-25
How Your Water Softener Works	26-28
Care of Your Water Softener	29-32
Specifications	33-34
Service Tech Information.....	35-41
Exploded Views and Parts Lists.....	42-47
Sears Tech Support.....	Back Cover

FACTS AND FIGURES TO KEEP

Fill in the blanks below and keep this book in a safe place so you always have these facts.

Water Softener Model No.* _____

Serial Number _____

Date Installed _____

Water Hardness _____ Grains Per Gallon

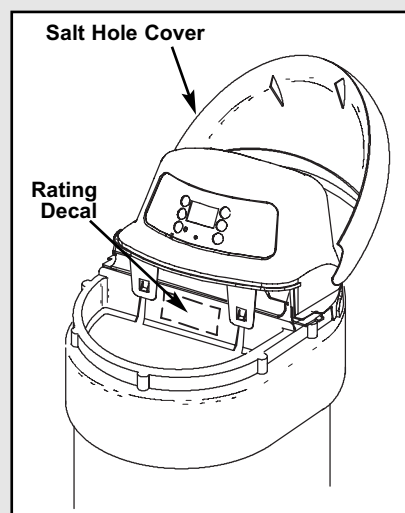
Iron Content _____ Parts Per Million

pH _____ Taste and/or Odor _____

Water Pressure _____ Pounds/Square Inch

Water Flow Rate _____ Gallons Per Minute

* The model number is on the rating decal, located on the rim, under the salt hole cover.



Questions?

**Call the Kenmore Water Line at 1-800-426-9345
or visit KenmoreWater.com**

For repair or replacement parts, call toll-free 1-800-366-7278
See back cover for other Sears service numbers.

Questions? Call The Kenmore Water Line 1-800-426-9345

Safety Guides

- ▲ Read all steps, guides and rules carefully before installing and using your new water softener. Follow all steps exactly to correctly install. Failure to follow them could cause personal injury or property damage. Reading this book will also help you to get all of the benefits from your water softener.
- ▲ Your Kenmore Water Softener will remove hardness minerals from water. This is measured in grains per gallon (gpg). It will also remove some clear water iron*. This is measured in parts per million(ppm). See the specifications page for the maximum limits of hardness and iron removal.
- ▲ A water softener will not improve other water problems such as acidity, tastes and odors, or iron other than clear water iron. It will not purify contaminated water, or make unsafe water safe to drink.
- ▲ Check with your local public works department for plumbing, electric and sanitation codes. You must follow their guides as you install your softener. Use only LEAD FREE SOLDER AND FLUX, as required by federal and state codes, when installing soldered copper plumbing.
- ▲ Protect the softener and piping from freezing. Damage from freezing voids the softener warranty. See how to protect from freezing on page 31.

CAUTION: Please read and comply with the following guides to prevent damage to the softener or other property, personal injury, or possible fatal shock.

- ▲ ***This softener works on 24 volts only. Be sure to use only the transformer included. Plug it into a nominal 120V, 60 cycle household outlet that is grounded and properly protected by an overcurrent device such as a circuit breaker or fuse. If transformer is replaced, use only the authorized service Class II, 24 volt, 10 VA transformer.***
 - ▲ Unplug the transformer right away if the power cable should become damaged or frayed. Make repairs, or replace the transformer, before plugging back into the power outlet.
 - ▲ Always unplug the softener from electrical power before removing outer valve covers.
 - ▲ This system is not intended to be used for treating water that is microbiologically unsafe or of unknown quality without adequate disinfection before or after the system.
- * The capacity to reduce clear water iron is substantiated by WQA test data.



European Directive 2002/96/EC requires all electrical and electronic equipment to be disposed of according to Waste Electrical and Electronic Equipment (WEEE) requirements. This directive or similar laws are in place nationally and can vary from region to region. Please refer to your state and local laws for proper disposal of this equipment.

Questions? Call The Kenmore Water Line 1-800-426-9345

Unpack and Check Your Carton

INSPECT SHIPMENT

Your water softener is shipped complete in one carton. Use care when handling the softener. DO NOT turn upside down. DO NOT drop, or set on sharp objects that could make a hole in the bottom. The water softener is heavy, do not try to lift it or move more than is necessary.

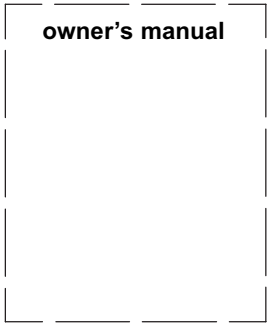
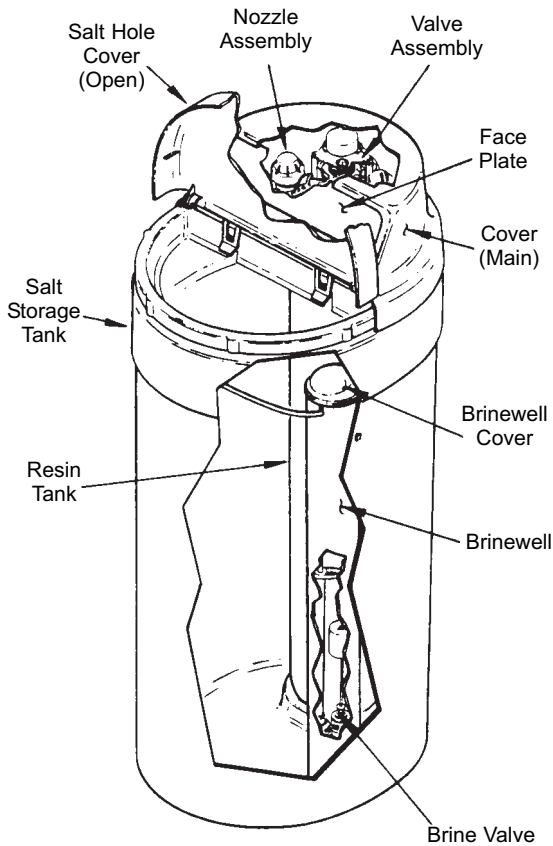
Remove all items from your shipping carton. Check all items against the packing list below. Note any items lost or damaged in shipment.

Note any damage to the shipping carton. Refer to the exploded view and parts list in the back of the manual for the part names and numbers of missing or damaged items.

Contact the store where purchased if problems exist.

Packing List

PARTS DESCRIPTIONS



SMALL PARTS

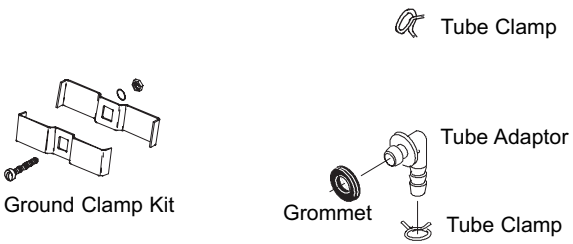
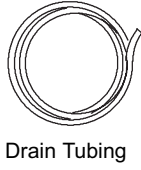
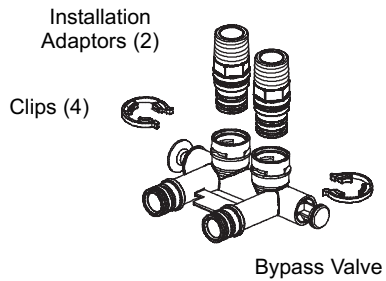


FIG. 1

Questions? Call The Kenmore Water Line 1-800-426-9345

Plan Your Installation

PLAN YOUR INSTALLATION

It is recommended to read through the entire manual before beginning your installation. Follow all steps exactly. Reading this manual will also help you get all the benefits from your system.

TOOLS NEEDED:

- Safety glasses
- Flathead screw driver
- Phillips screw driver
- Adjustable slip joint pliers
- Tape measure or ruler

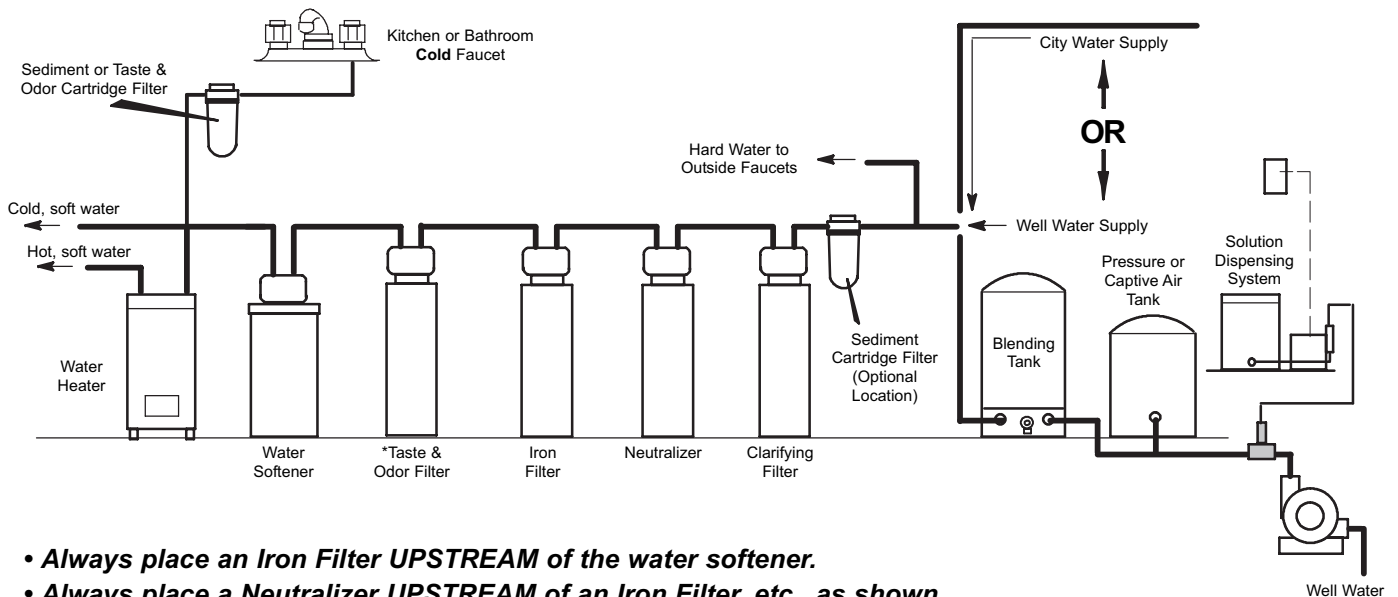


ADDITIONAL TOOLS NEEDED FOR THE FOLLOWING INSTALLATIONS:

SOLDERED COPPER	THREADED PIPE	CPVC OR PVC PLASTIC
<ul style="list-style-type: none"> • Tubing Cutter • Propane Torch • Solid Core LEADFREE Solder • Paste Flux • Emery Cloth • or Sandpaper 	<ul style="list-style-type: none"> • Hacksaw or Pipe Cutter • Pipe Wrenches • Pipe Threading Tool • Pipe Joint Compound approved for use on potable water 	<ul style="list-style-type: none"> • Hacksaw • Adjustable Wrench • Primer and Solvent Cement approved for use on potable water-

THE PROPER ORDER TO INSTALL WATER TREATING EQUIPMENT

(Shows sequence of equipment only. Seldom, if ever, would all items be needed.)



- **Always place an Iron Filter UPSTREAM of the water softener.**
- **Always place a Neutralizer UPSTREAM of an Iron Filter, etc., as shown.**
- * **Place a Taste & Odor Filter UPSTREAM of a water softener on a chlorinated water supply and DOWNSTREAM of a water softener on a non-chlorinated water supply.**

FIG. 2

Questions? Call The Kenmore Water Line 1-800-426-9345

Plan Your Installation

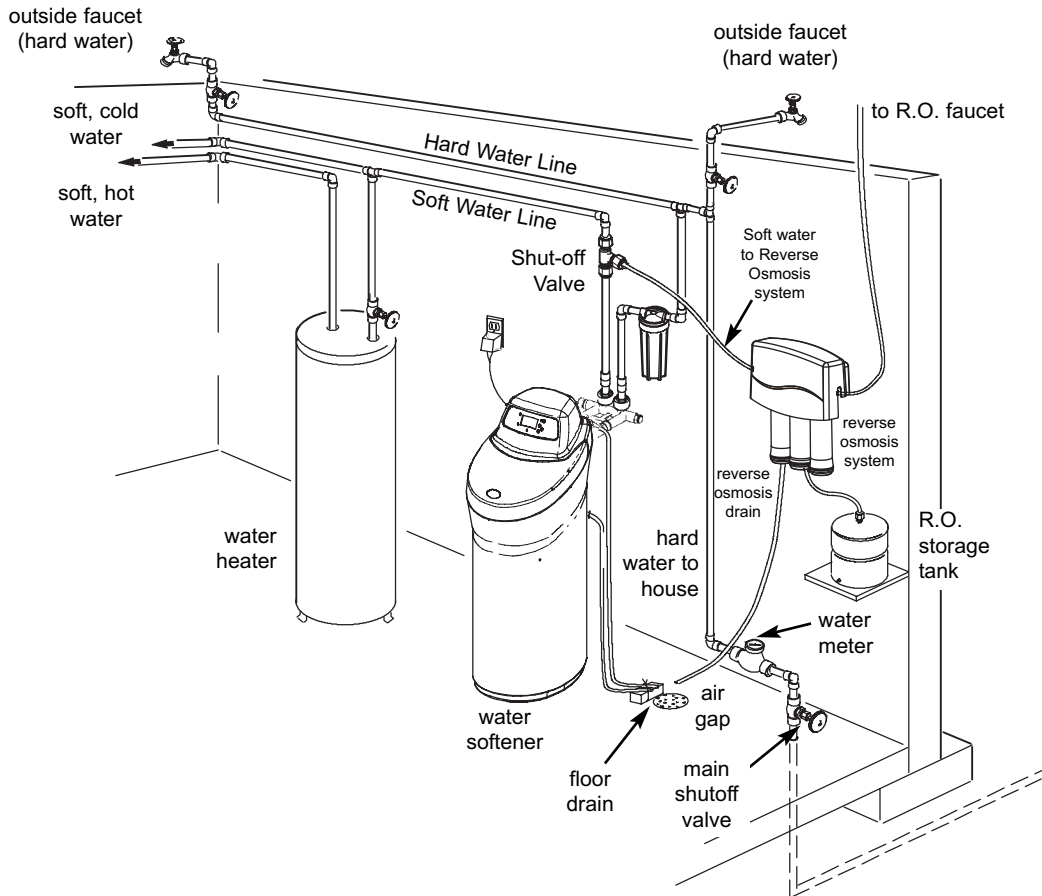


FIG. 3

Typical Installation

WHERE TO INSTALL THE WATER SOFTENER

Review the following points before you choose a place to put your softener.

1. Place as close as possible but always after, the pressure tank (well water) or water meter (city water). See Fig. 3.
2. Place as close as possible to a water drain such as a floor drain, laundry tub, sump or standpipe. See Fig. 3.
3. Connect to the house main water pipe **BEFORE THE WATER HEATER**. See Fig. 3. **Temperature of water going through the softener must not be more than 120°F (49°C)**. Hot water will damage inner softener parts. *To reduce the risk of hot water backup*, piping between the softener and water heater should be as long of a run as possible.
4. Keep outside faucets on hard water to save soft water and salt. See Fig. 3.
5. **Do not** install in a place where the softener could **freeze**. Damage caused by freezing voids the warranty by Sears Brands Management Corporation.
6. Put the softener in a place where water damage is least likely to occur if it develops a leak. Sears or the manufacturer will not repair or pay for water damage.
7. A grounded, 120V electrical outlet is needed within 10 feet of the softener. See Fig. 3. This is to plug in the transformer. The softener has a 10 foot power cable. **Be sure the outlet and transformer are in an inside place, to protect from wet weather.** Use a continuously "live" outlet, which cannot be accidentally switched off.
8. When installing in an outside location, you must take the steps necessary to assure the softener, installation plumbing, and wiring, are protected from the elements, direct sunlight, contamination, vandalism, etc.

Questions? Call The Kenmore Water Line 1-800-426-9345

Plan Your Installation

Suggested Slab Foundation Installation

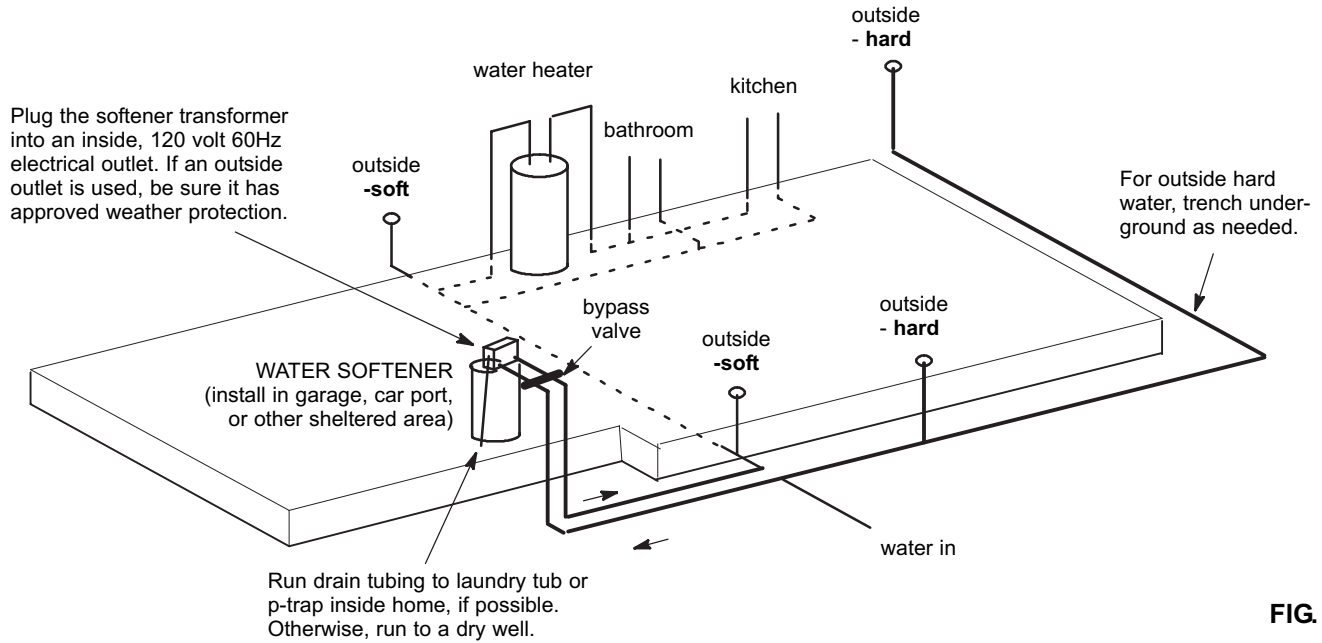
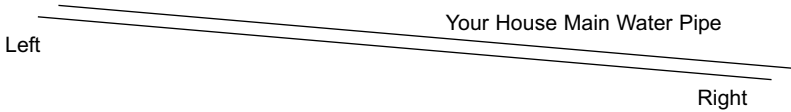


FIG. 4

DRAW IN YOUR PIPES AND FITTINGS

Draw the plans for your "IN" and "OUT" piping here. Include all pipe, fittings and accessories you will use.

Make a list of all materials you will need and buy them before you begin to install the water softener.



*** In what direction does the water flow?**

Be sure to plan "IN" and "OUT" piping so water flow is to the softener valve inlet. Plan a crossover if flow is from left to right.

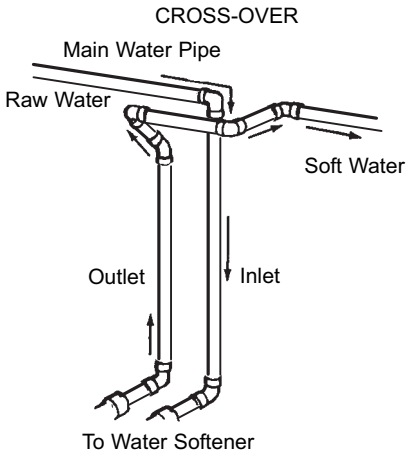
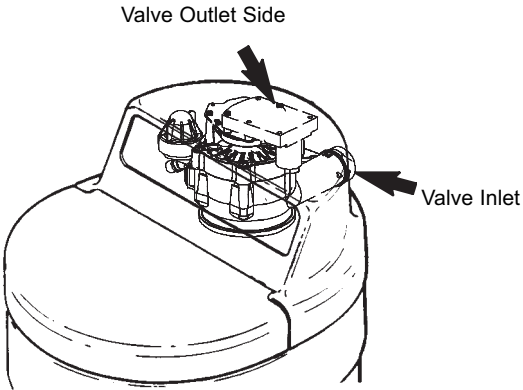


FIG. 5

Questions? Call The Kenmore Water Line 1-800-426-9345

Plan Your Installation

PIPE, FITTINGS, OTHER MATERIALS NEEDED

You must first decide how to run "in" and "out" pipes to the softener. Look at your house main water pipe at the point you will connect the softener. Is the pipe soldered copper, glued plastic, or threaded galvanized or brass? What is the pipe size? What kind of pipe and fittings is it easiest for you to work with, and what tools do you have?

Now look at the common plans for "in" and "out" piping on soldered copper. See Fig. 6. Use it as a guide to plan what materials you will need. Get all the materials you will need before you start.

Use Fig. 5 to make a plan drawing for your specific installation. "In" and "out" fittings included with the softener are 1" NPT threaded adaptors. You should maintain the same, or larger, pipe size as the water supply pipe, up to the softener inlet and outlet. Use copper, brass, galvanized or PVC plastic pipe and fittings for the "in" and "out" pipes. Be sure to check local codes.

Note: If converting from galvanized to copper pipe use approved dielectric insulating connectors.

ALWAYS install the bypass valve (that is included with the unit) or a three valve bypass. See Fig. 9 to 13. Bypass valves let you turn off water to the softener if needed for repairs, but still have water in the house pipes.

Drain tubing (3/8" inside diameter), is needed for the valve and salt tank drains. See Fig. 16. If a rigid valve drain is needed to comply with plumbing codes, you can buy the parts needed (see Fig. 16) to change the softener to a 1/2 inch minimum copper tubing drain.

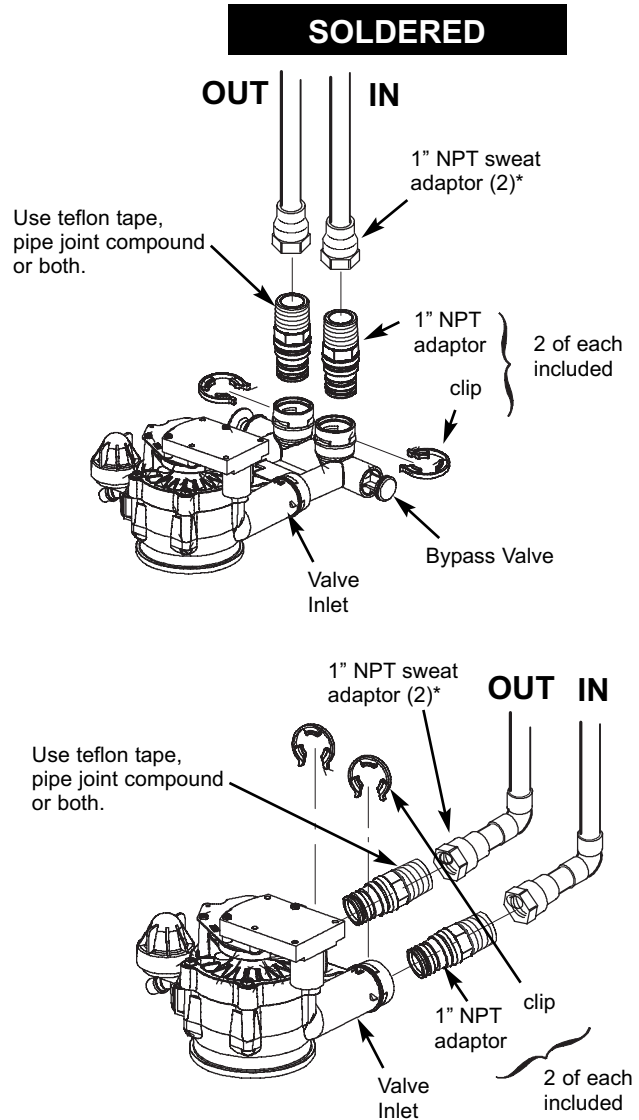


FIG. 6

***NOTE:**

For plumbing connection, buy 2 sweat adaptors and plumb directly to the inlet - outlet adaptors. Threads on the inlet - outlet adaptors are 1" NPT.

CAUTION:

DO ALL SOLDERING BEFORE CONNECTING SWEAT ADAPTORS TO INLET-OUTLET ADAPTORS OR BYPASS VALVE.

Read Before Beginning Installation

BEFORE INSTALLING CHECKS & TESTS

Your water supply needs to be checked for chemical analysis, water pressure and water flow rate. To accomplish this, complete the following steps:

Check Water's Chemical Analysis: Sears sells a complete line of water treating equipment to correct various water problems. To be sure you have the proper type and size equipment, You must have your water tested. Your Sears store can give you a water test results for hardness, iron and acidity, and tell you what equipment you need. Simply take at least a 4 oz. sample of your water to Sears, and they will test it while you wait. If you need help to get your water tested, or if you have other questions about your water, ask at your Sears store.

NOTE: Add these readings to the Facts and Figure table on page 3.

Check Your Water Pressure: For your softener to work right, a water pressure of no lower than 20 pounds per square inch (psi) is needed in the house water pipes. The highest pressure allowed in the water pipes is 125 psi. If pressure is over 125 psi, buy and install a pressure reducing valve in the water inlet pipe to the softener.

NOTE: If water pressure during the day is 100 psi or more, pressure during the night may go over 125 psi. Adding a pressure reducing valve may reduce the flow.

NOTE: Add these readings to the Facts and Figure table on page 3.

If you have a well water system, look at the pressure gauge to find the water pressure. Call your local water department if you have city water. They will tell you what the water pressure is where you live.

NOTE: Add these readings to the Facts and Figure table on page 3.

Check your water flow rate: A water flow of at least 3 gallons per minute is needed. A lower flow will keep your softener from working as well as it should. Complete the following steps to make an easy check of your flow rate.

1. Fully open two cold water faucets close to the point water enters the house.
2. With both faucets open, fill a gallon container at one faucet while looking at a watch or clock to see how many seconds it takes.
3. Empty the container and go to the second faucet (be sure BOTH faucets are still on). Fill the gallon container at the second faucet and see how many seconds it takes.
4. Turn off both faucets. Now add the number of seconds it took to fill the container at both faucets.
5. A total of 90 seconds, or less, means the system flow rate is good.

NOTE: Add these readings to the Facts and Figure table on page 3.

NOTE: Codes in the state of Massachusetts require installation by a licensed plumber. For installation, use plumbing code 248CMR of the Commonwealth of Massachusetts.

Install Single Bypass Valve

ASSEMBLE INLET OUTLET ADAPTORS, OR SINGLE BYPASS VALVE

Complete the following steps to assemble the adaptors or bypass valve.

1. Close the shutoff valve on the house main water pipe, near the water meter or pressure tank, to turn off the water. See Fig. 7.
2. Shut off the gas or electric supply to the water heater. See Fig. 7.
3. Open the highest and lowest water faucets in your house. This will let water drain from the pipes. Close faucets after water has drained.
4. Remove the main cover. See Fig. 8.
Pull outward on two (2) tabs to release.

The salt hole cover remains attached to the main cover when removed. Set both covers aside so they will not get scratched or broken.

INSTALL SEARS BYPASS VALVE AND / OR THE INLET OUTLET THREADED ADAPTORS

NOTE: If you will not install the bypass valve because you will have a three (3) valve bypass, skip steps 6 & 7, but do steps 5 and 8.

5. Visually check and remove any foreign materials from the valve inlet and outlet ports. See Fig. 9. Carefully remove the two large plastic clips (you will use them). Check to be sure the turbine and turbine support are firmly in place. See Fig. 10.

BYPASS VALVE:

6. Put a light coating of silicone grease on the o-ring seals and slide onto the bypass valve.
7. Push the bypass valve into the softener valve as far as it will go. **Snap the two large holding clips into place, from the top down as shown.** See Fig. 11.

CAUTION: Be sure the clips snap firmly into place so the bypass valve will not pull out. See Fig. 11.

INLET AND OUTLET THREADED ADAPTORS:

8. Put a light coating of silicone grease on the o-ring seals and slide into the threaded adaptors. Push the adaptors into the valve inlet and outlet ports, or bypass valve ports, as far as they will go. Both adaptors are the same and fit either port. **Snap the two large holding clips into place, as shown.** See Fig. 11.

CAUTION: Be sure the clips snap firmly into place so the tubes will not pull out. See Fig. 11.

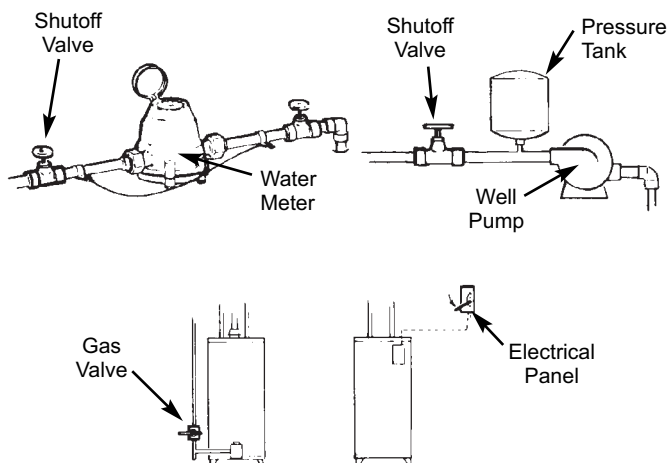


FIG. 7

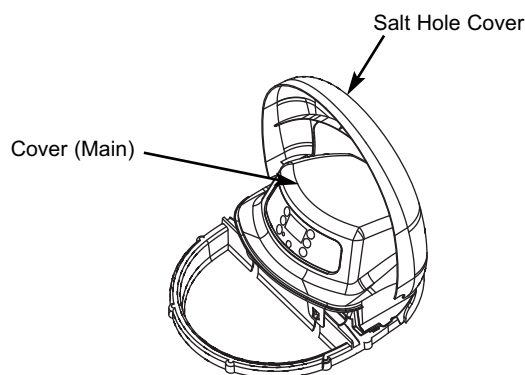


FIG. 8

INSTALLING BYPASS VALVE, AND/OR INLET AND OUTLET THREADED ADAPTORS

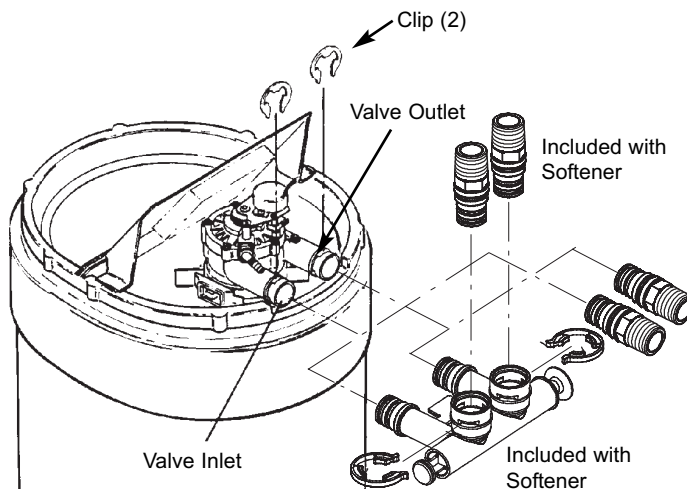


FIG. 9

Install Single Bypass Valve

Before installing the bypass valve, or copper tube, be sure the turbine and support are firmly in place in the valve outlet port.

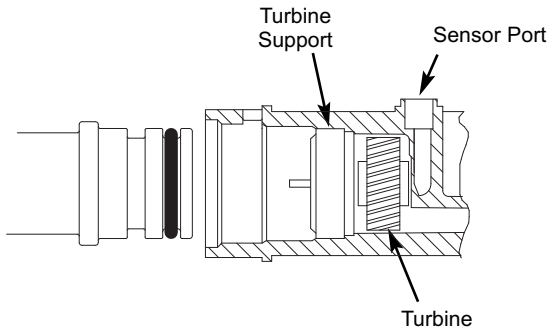


FIG. 10

INSTALLING HOLDING CLIPS

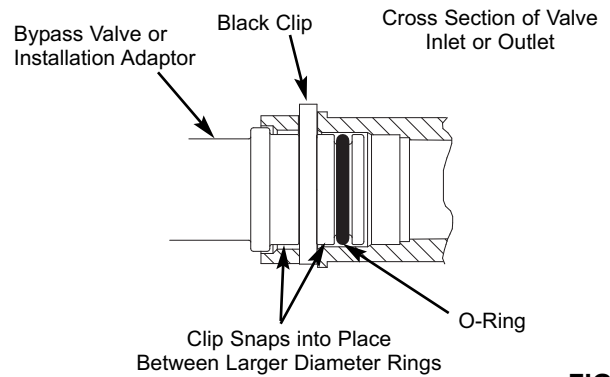


FIG. 11

BYPASS VALVE TURNED DOWNWARD

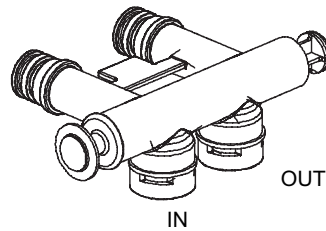


FIG. 12

Install 3-Valve Bypass

INSTALLING 3 VALVE BYPASS AND PIPES

Complete the following steps to install the three (3) valve bypass:

- Cut the house main water pipe where you will connect the softener.
- Loosely put together pipe, fittings, and the three (3) valves.
- Place valve(s) within easy reach.

When all pipe, fittings and valves make a good fit together, tighten all threaded joints (use pipe dope on outside threads), or solder all sweat joints.

3 VALVE BYPASS

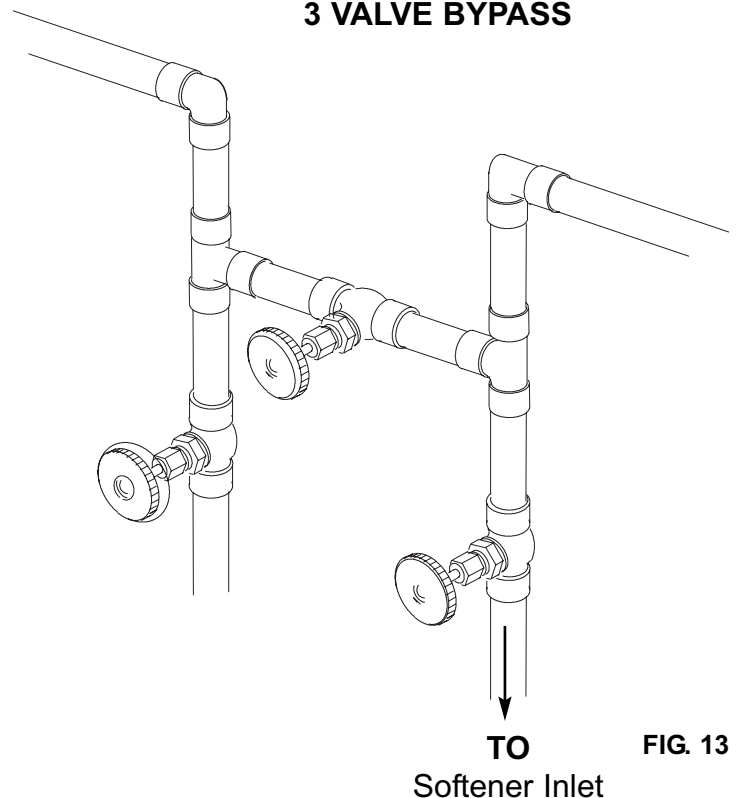


FIG. 13

Questions? Call The Kenmore Water Line 1-800-426-9345

Locate Water Softener and Connect Pipes

POSITION SOFTENER INTO PLACE

Complete the following steps to position the softener.

1. Grip under the ridge on the salt tank sidewall.
2. Carefully rock back and forth into position.
3. Move the softener into position.
4. Place on a level and smooth surface. If needed, put a piece of 3/4" plywood, at least 17" x 20", under the tank. Then put spacers under the plywood to level the softener. See Fig. 14.

NOTE: Do not put shims or spacers directly under the tank, without the plywood. The weight of the softener, when full of salt and water, may cause the tank to puncture or break at the shim or spacer.

CONNECT THE SOFTENER

Refer to your plan drawing. See Fig. 5.

Measure, cut (thread if needed) and put all pipe and fittings together up to the main water pipe, or to the bypass valve(s) you installed in the previous step.

CAUTION: Never solder fittings while connected to nonmetallic parts. Wait until soldered pipe has cooled before connection. See Fig. 15.

CAUTION: Be careful when putting pipe fittings together. Do not cross thread, and do not overtighten.

MOVE SOFTENER INTO PLACE

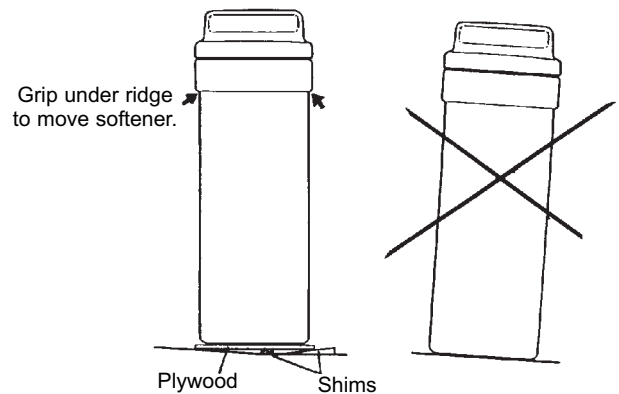


FIG. 14

TYPICAL SOLDERING CONNECTIONS

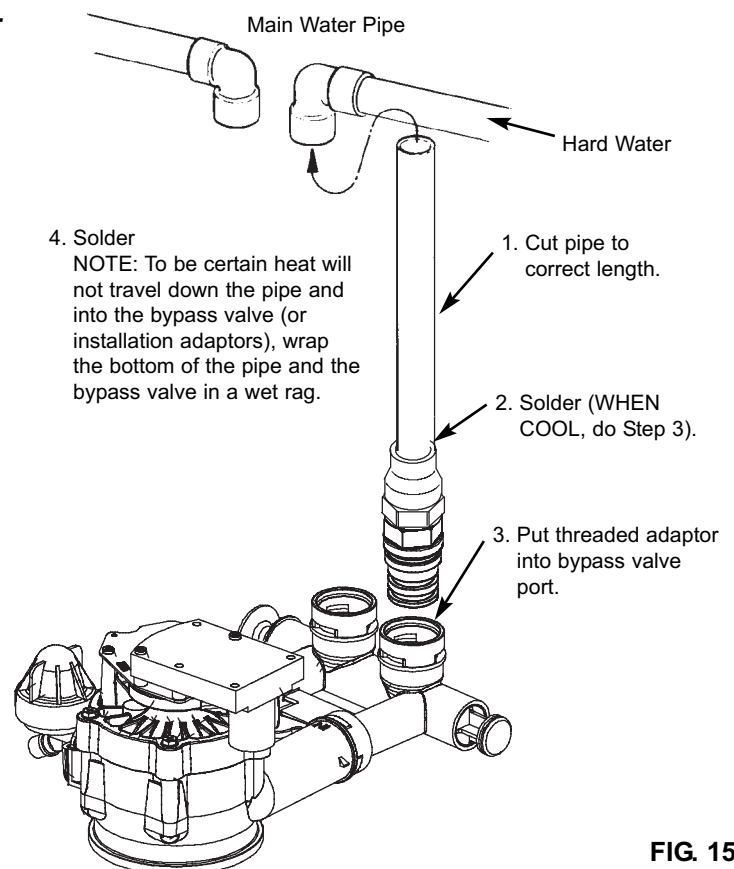


FIG. 15

Connect Valve and Salt Tank Drains

CONNECT THE VALVE DRAIN HOSE

Take a length of 3/8" inside diameter drain tubing and attach one end to the drain fitting. See Fig. 16. Use a tube clamp to hold it in place. Put the other end of the tubing over a floor drain, into a laundry tub, standpipe, or other suitable drain. **Check your local codes.**

Leave an air gap of about 1-1/2" between the end of the hose and the drain. This gap is needed so you don't get a backflow of sewer water into the softener. Do not put the end of the hose **into** the drain or connect without the air gap.

Place and support the hose so it does not kink or have sharp bends. Secure the hose end so water pressure does not cause the hose to "whip". Tie or wire it in place. Do not pinch the hose shut. **The softener will not work if this drain hose is pinched, plugged, closed or restricted in any way.** Direct drain flow down into drain from drain line as flow could possibly over shoot the drain cover.

Keep the hose lower than the drain fitting. In some homes, to get to a drain you must raise the hose and run it overhead. If you need an overhead drain, **do not raise the hose more than 8'** above the floor. A copper drain tube is best to use.

COPPER DRAIN TUBE: Local plumbing codes may require the use a copper valve drain tube. A copper

tube is also best to use for an overhead drain. Use a copper drain tube if the softener is installed outside, or in the sunlight. Heat from the sun can soften, flatten and close up some kinds of tubes.

To adapt a copper drain tube to the softener, buy a compression fitting (1/4" female pipe threads x 1/2" O.D. tube) and tubing from your local hardware store.

CONNECT SALT TANK OVERFLOW TUBING

1. Locate the rubber grommet, tube adaptor and tube clamp (see Fig. 16) that are in the parts bag.
2. Push the grommet into the hole in the salt tank wall so half is inside and half is outside.
3. Push the bigger end of the tube adaptor into the grommet.
4. Push one end of a length of 3/8" I.D. tubing onto the tube adaptor, using the tube clamp to hold it in place.
5. Put the other end of the tubing over the floor drain.

IMPORTANT: Overflow water must run downward through the tubing. Do not raise the tubing higher than the grommet and tube adaptor. See Fig. 16.

IMPORTANT: Do not connect to the valve drain hose you installed in step 1. Both drains must have a separate hose or tube.

NOTE: Overflow drain tubing is available from Sears. See parts list in back of manual.

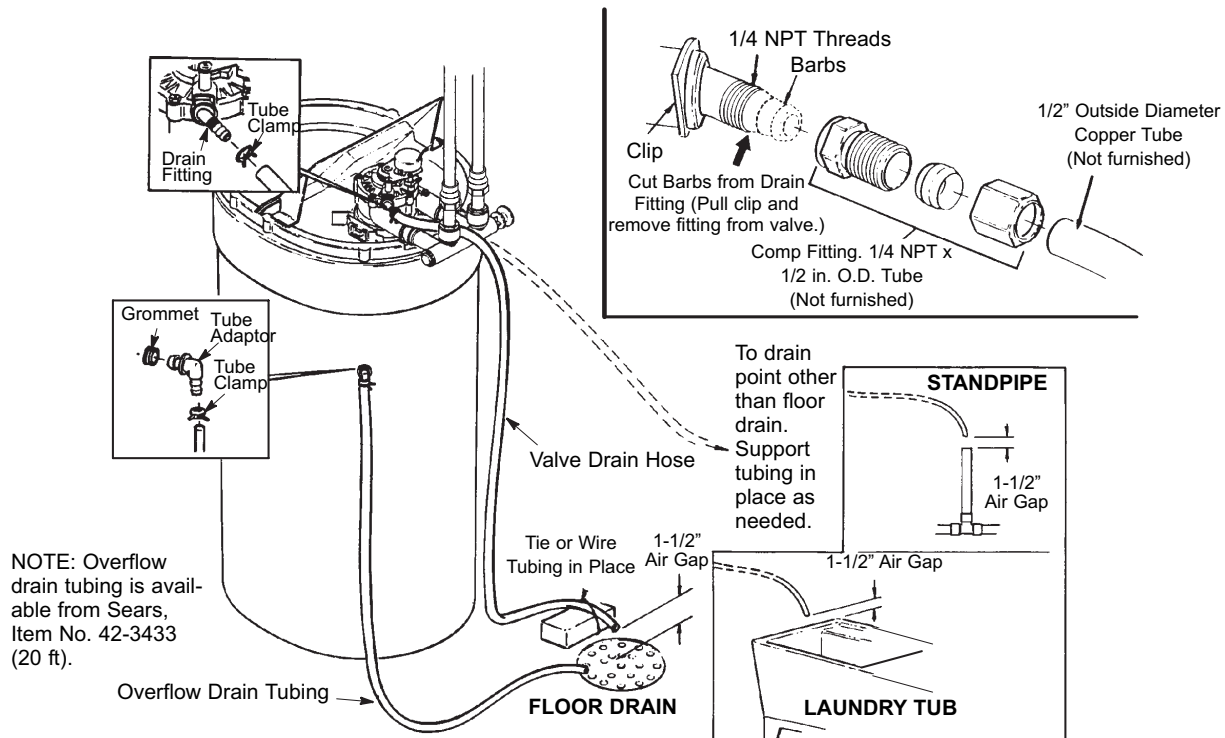


FIG. 16

Questions? Call The Kenmore Water Line 1-800-426-9345

Leak Test

LEAK TEST

To check for leaks, complete the following steps:

CAUTION: To avoid water or air pressure damage to softener inner parts, and to flush pipe chips or other residue from the water pipes, be sure to do the following steps exactly as instructed.

1. Fully open two cold, soft water faucets near the softener.
2. Look at the pictures in Fig. 18 and 19 to determine your kind of bypass valve(s). Place bypass valve(s) in "bypass" position. On a single valve, slide the stem inward to bypass. On a three (3) valve system, close the inlet and outlet valves and open the bypass valve.
3. **Fully open** the house main water pipe shutoff valve. Observe steady water flow from both open faucets.
4. Place bypass valve(s) in SERVICE **EXACTLY** as follows: **Keep soft water faucets open.**
 - a. **Single Bypass Valve:** **Slowly**, slide pull the valve stem outward toward *service*, pausing several times to allow the softener to pressurize slowly.
 - b. **Three Valve Bypass:** Fully close the bypass valve and open the outlet valve. **Slowly**, open the inlet valve, pausing several times to allow the softener to pressurize slowly.
5. **After about three minutes, open a hot water faucet for about one minute, or until all air is expelled, then close.**
6. **Close both cold water faucets.**
7. Check your plumbing work for leaks and fix right away if any are found. **Be sure to observe previous caution notes.**

NOTE: If this procedure is performed on a new softener, water coming from the taps may initially be discolored. This normally occurs the first time water runs through the resin bed. The discolored water is not harmful, and the discoloration will not last more than a few minutes.

HOUSE MAIN WATER SHUTOFF VALVES

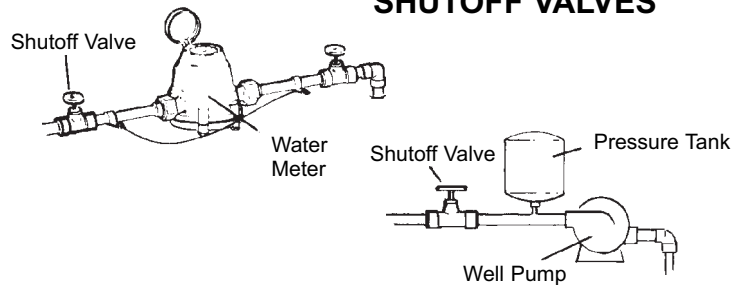


FIG. 17

SINGLE BYPASS

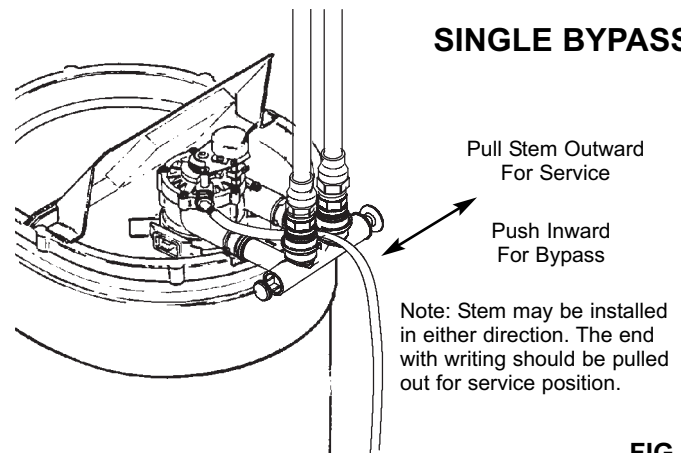


FIG. 18

VALVE BYPASS

FOR SERVICE
Close bypass valve.
Open inlet & outlet valves.

FOR BYPASS
Open bypass valve.
Close inlet & outlet valves.

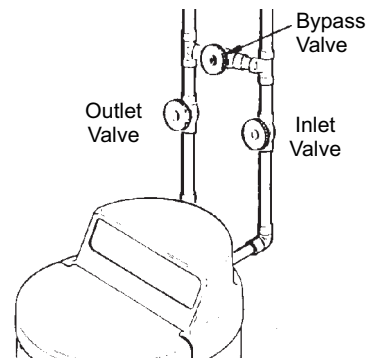


FIG. 19

Electrical Requirements

INSTALL GROUNDING CLAMP BETWEEN THE SOFTENER IN AND OUT PIPES

The house cold water pipe (iron or copper) is often used to ground all electrical outlets in the home. Outlets are grounded to protect you from shock when you touch any electric appliance plugged into the outlet. If you installed the single bypass valve, the cold water pipe ground is broken. See Fig. 20 and 21.

IMPORTANT: Be sure the cold water pipe has direct metal to metal contact all the way to the ground. Plastic, rubber or other electrically insulating parts such as hoses, fittings, washers or gaskets can break the direct metal to metal contact. Also check the water meter (city water) or the well pump. Install #4 copper jumper wires, clamped tightly on both ends, across insulated parts. See Fig. 21.

To restore the ground, take the ground clamp kit that is in the parts bag. Install across the inlet and outlet copper tubes. See Fig. 20. Be sure good contact is made between the pipe and the clamps.

ELECTRICAL POWER OUTLET FOR YOUR SOFTENER

The softener works on 24 volt, 60 Hz electric power. The included transformer changes standard 120 volt AC house power to 24 volts. You must plug the transformer into a grounded, 120 volt outlet only. Be sure the outlet is always "live" so someone cannot turn it off by mistake. See Fig. 22.

NOTE: The included transformer is made for inside use only. Be sure the electrical outlet you plug the transformer into is inside, to protect from weather.

PLUG IN THE TRANSFORMER

Plug the transformer into the electrical outlet.

COLD WATER PIPE GROUNDING

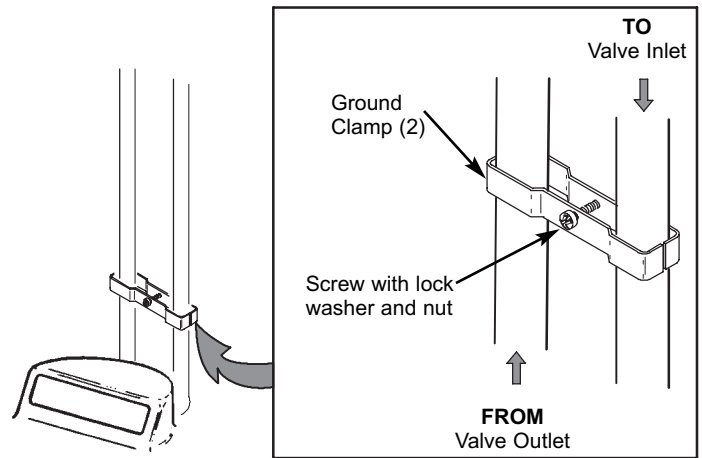


FIG. 20

WATER METER JUMPER WIRE

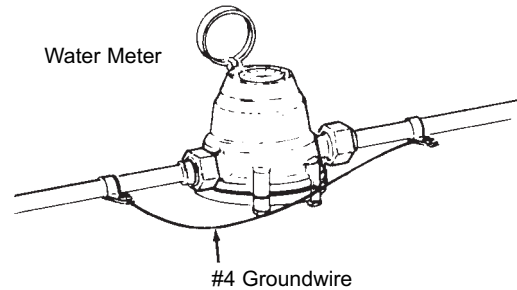


FIG. 21

CONNECTING TRANSFORMER

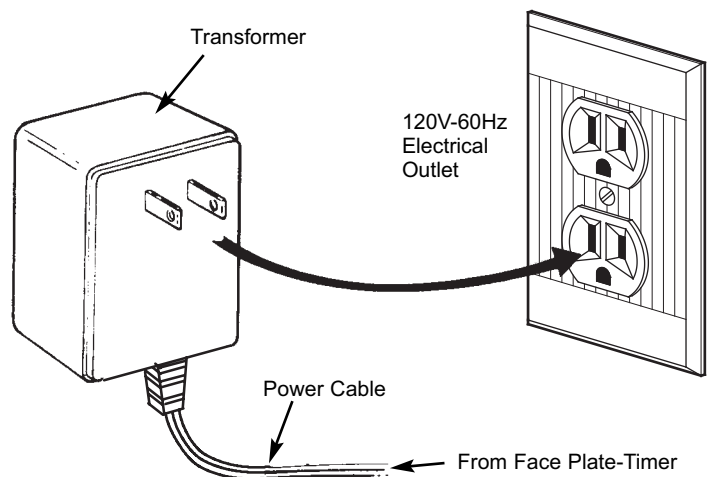


FIG. 22

Questions? Call The Kenmore Water Line 1-800-426-9345

Install Covers and Restart Water Heater

INSTALL COVERS

After installing your water softener, replace the covers. Angle the covers so the main cover clips onto the back first, then bring down in front and clip on the two (2) tabs inside the rim of the salt hole and lower the salt cover closed. See Fig. 23.

RESTART THE WATER HEATER

Turn on the gas (or electric) supply to the water heater and light the pilot.

YOUR PLUMBING INSTALLATION AND ELECTRICAL WORK ARE NOW COMPLETE.

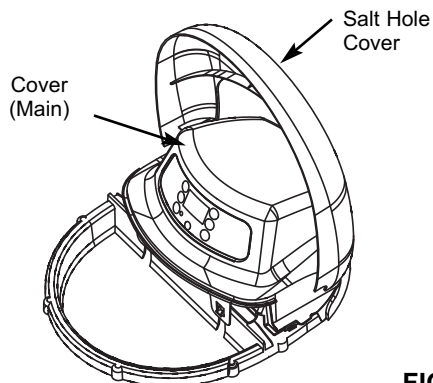


FIG. 23

Program The Timer

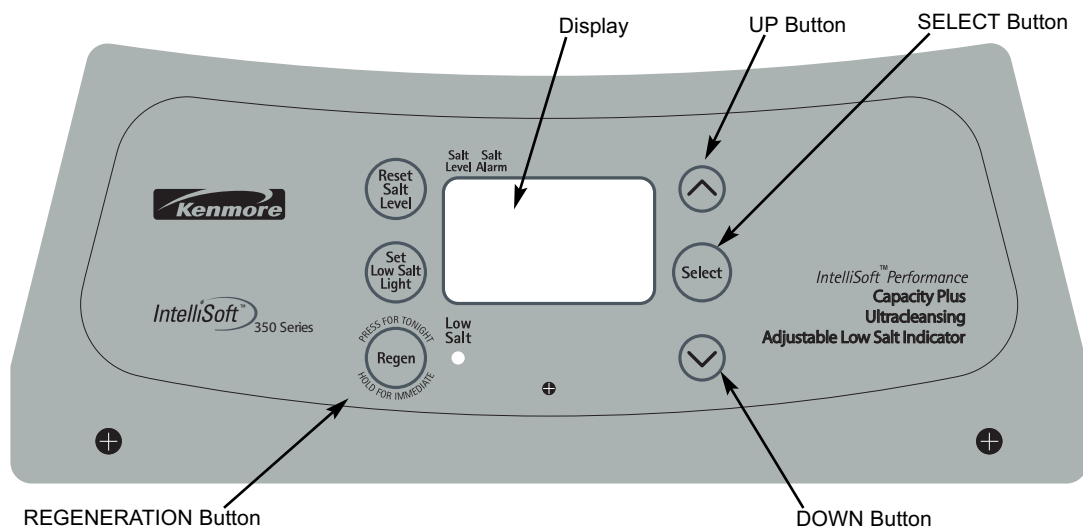


FIG. 24

PROGRAM THE TIMER

1. When the transformer is plugged in, a model code (S 32) and a test number (example: J11) show in the face plate. This will display for four (4) seconds. Then, 12:00 AM and *PRESENT TIME* begin to flash.

NOTE: If “- - -” shows in the display, press the UP or DOWN button until S 32 shows in the display. Then, press the SELECT button to set, and change to the flashing PRESENT TIME display.

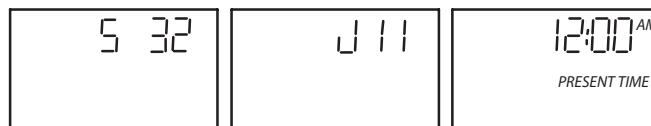


FIG. 25

2. To check the model code, unplug the transformer at the wall outlet and plug in again. **If other than S 32 shows, refer to the Troubleshooting Section.**

SOUND “BEEPER”: A “beeper” sounds while pressing buttons for timer setup. One beep signals a change in the face plate display. Repeated beeps mean the timer will not accept a change from the button you have pressed, telling you to use another button. For example, while setting the hardness the beeper sounds repeatedly when the display reaches 1 using the DOWN button, or the highest hardness setting using the UP button.

Questions? Call The Kenmore Water Line 1-800-426-9345

Program The Timer

SET PRESENT TIME OF DAY

If the words *PRESENT TIME* do not show in the display, press the SELECT button until they do show in the display. Press the UP or DOWN buttons to set the present time. Press UP to move the display ahead; press DOWN to move the time backward. If the present time is between noon and midnight, be sure PM shows. If the present time is between midnight and noon, be sure AM shows. Each press of the UP or DOWN buttons changes the time by one (1) minute. Holding the buttons in changes the time 32 minutes each second.

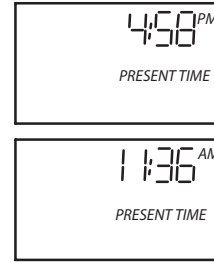


FIG. 26

SET WATER HARDNESS NUMBER

To set the water hardness number, complete the following steps:

1. Press the SELECT button once to display 25 (flashing) and *HARDNESS*. The grains per gallon (gpg) hardness of your water supply is on your water analysis report. Be sure to enter water test results on the Facts & Figure Chart on page 3.
2. If your water supply contains iron, compensate for it by adding to the water hardness number. *For example, assume your water is 20 gpg hard and contains 2 ppm iron. Add 5 to the hardness number for each 1 ppm of iron. In this example, you would use 30 for your hardness number.*

$$\begin{array}{r}
 2 \text{ ppm iron} \times 5 = 10 \\
 20 \text{ gpg hardness} \\
 \hline
 +10 \\
 \hline
 30 \text{ HARDNESS NUMBER}
 \end{array}$$

3. Press the UP or DOWN buttons to set your water hardness number in the display. The DOWN button moves the display to 1. The UP button moves the display to the highest setting (see maximum setting for your model in the specifications).

NOTE: Each press of the UP or DOWN button changes the display by 1 between 1 and 25. Between 25 and the highest number, the display changes 5 at a time (25, 30, 35, etc.) Holding the UP or DOWN button in changes the display twice each second.

SET REGENERATION TIME

To complete setting the regeneration time, complete the following steps:

1. Press the SELECT button to display 2:00 AM (flashing) and *RECHARGE TIME*.
2. At the 2:00 AM recharge time setting, the softener begins regeneration (see pages 26 - 28) at 2:00 AM. This is a good time in most households because water is not being used. If a different recharge time setting would be better for your household, complete the following step.

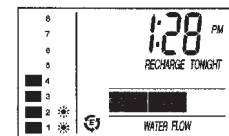
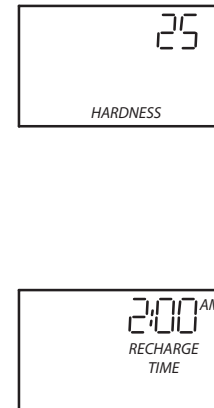


FIG. 27

3. Press the UP or DOWN buttons to set the desired recharge starting hour. Be sure to observe the AM-PM as you did when setting the present time of day.
Note: Each press of the UP or DOWN buttons changes the display one hour. Holding the buttons in changes the display twice each second.
4. Press the SELECT button once again, to complete initial programming, and the current time of day shows in the display.

Questions? Call The Kenmore Water Line 1-800-426-9345

Sanitize The Water Softener

SANITIZE THE WATER SOFTENER

Care is taken at the factory to keep your water softener clean and sanitary. Materials used to make the softener will not infect or contaminate your water supply, or cause bacteria to form or grow. However, during shipping, storage, installing and operating, bacteria could get into the softener.

SANITIZE YOUR WATER SOFTENER AS FOLLOWS:

1. **Be certain the bypass valve is pulled out to "service" position.**
2. Lift the salt hole cover and use a pail add up to 3 gallons of water to the salt storage tank.
3. Remove the brine well cover (Fig. 28) and pour about 3/4 ounce, or 1 to 2 tablespoons, of common 5.25%, *unscented*, household bleach (Clorox, Linco, BoPeep, White Sail, Eagle, etc.) in the softener brinewell. Replace the brinewell cover.
4. Press the **REGENERATION** button and *hold for 3 seconds*, until the words *RECHARGE*, *Serv* and *Fill* begin to flash in the display. This recharge draws the sanitizing bleach into and through the water softener to sanitize it. Any air remaining in the unit is purged to the drain.
5. After the recharge has completed, fully open a cold water faucet, downstream from the softener, and allow 50 gallons of water to pass through the system. This should take at least 20 minutes. Close the faucet.

NOTE: *This recharge takes about 2-1/2 to 2-3/4 hours, depending on the salt type setting.*

NOTE: *During a recharge the water softener bypasses raw water to the home. You will not get salty water or affect the regeneration cycle if water is used at this time.*

You can sanitize the softener *with or without* salt in the storage tank.

¹ Recommended by the Water Quality Association.

On some water supplies, the water softener may need periodic disinfecting.

Your new Sears softener is now softening the water for your household needs. However, your **WATER HEATER is filled with hard water**. To have fully soft water right away, you can drain the water heater so it refills with soft water. If you don't drain the water heater, it will take a few days before you have fully soft water.

To drain the water heater, open a hot water faucet and let it run until the water runs cold. Then close the faucet.

NOTE: *If this procedure is performed on a new softener, water coming from the taps may initially be discolored. This normally occurs the first time water runs through the resin bed. The discolored water is not harmful, and the discoloration will not last more than a few minutes.*

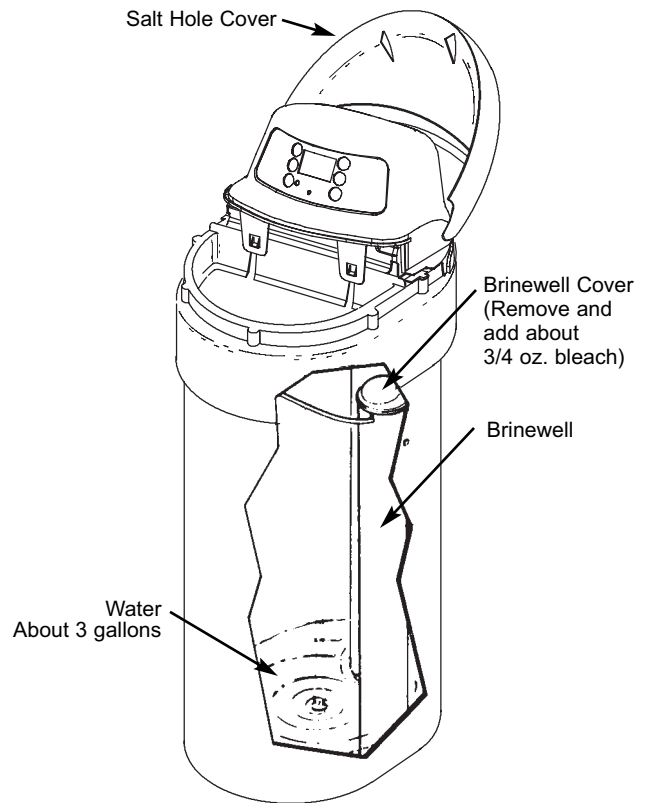


FIG. 28

Adding Salt To The Storage Tank

ADDING SALT TO THE STORAGE TANK

Brine (salt dissolved in water) is needed for each and every regeneration. The water for making brine is metered into the salt storage tank by the softener. You must keep salt in the tank, but because the water softener is very efficient, it is not necessary to keep it full.

Especially in humid areas, it is best to fill the storage tank one quarter to one half full, and to add salt more often. Salt bridging occurs more often when conditions are humid.

Use NUGGET or PELLET water softener salt. DO NOT use rock salts, as they have dirt and sediments that will stop the softener from working. To maintain optimum performance of your water softener, the salt tank should be cleaned out every 2 to 3 years.

Before adding salt, be sure the brinewell cover is in place on the top of the brinewell. It is recommended to set the salt monitor system, although it is not required for proper operation.

NOTE: The salt monitor system is calibrated to the density of nugget or pellet water softener salt. The monitor will not work as accurately with other types of salt including rock and solar.

If you choose Potassium Chloride (KCl) as a regenerant, following these suggestions will help give you years of maintenance free service.

1. Place only one bag of KCl in your softener at a time (the salt storage tank should contain no more than 60 pounds of KCl at any one time).
2. A softener using KCl should not be placed in areas with temperature fluctuations and high humidity (KCl will harden in these environments and may make the softener inoperable).
3. Check the brine tank and brine well (black tube in salt storage tank) monthly. If hardening is present, pour small amounts of warm water on hardened areas until they loosen.
4. If your softener does not have a KCl salt setting you must increase your hardness setting by 25% to ensure continuous soft water as in example below.

Raw Water Hardness (Grains Per Gallon)		Softener Setting When Using KCl
5 gpg		7 gpg
10 gpg		13 gpg
15 gpg		19 gpg
20 gpg	+ 25 % =	25 gpg
25 gpg		32 gpg
30 gpg		38 gpg
35 gpg		44 gpg
40 gpg		50 gpg

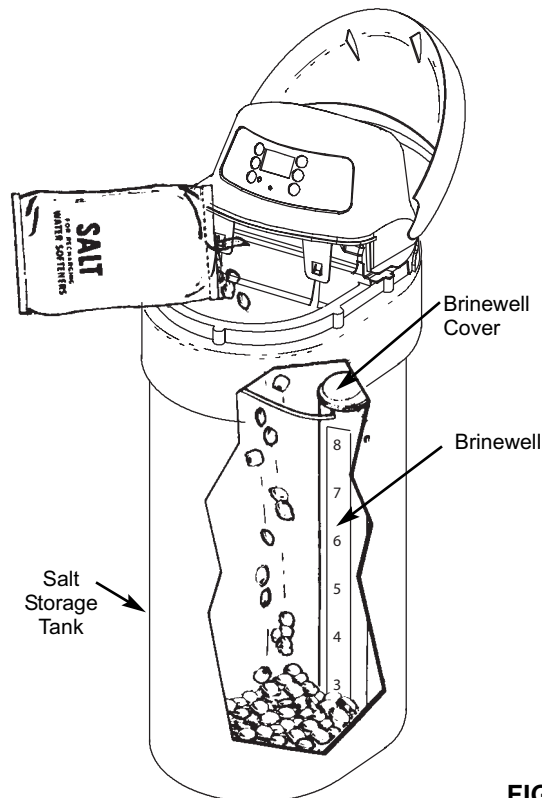


FIG.29

Persons who are on sodium restricted diets should consider the added sodium as part of their overall sodium intake. For example, if your water supply is 15 grains hard, and you drank 3 quarts of softened water you would consume 335 milligrams of sodium. That is equivalent to eating 2-1/2 slices of white bread.

WATER SOFTENING SALT WITH IRON REMOVING ADDITIVES

Some salts have an additive to help the softener handle iron in the water supply. These salts may be used if your water supply has a high iron content. It is recommended to use Sears Resin Bed Cleaner (refer to the Parts List in back of manual for part number) for periodic treatments to keep your resin bed clean. This is available at your local Sears store.

Persons who are concerned about their drinking water should consider a Kenmore Drinking Water System that will remove or reduce in excess of 90% of the sodium and other drinking water contaminants.

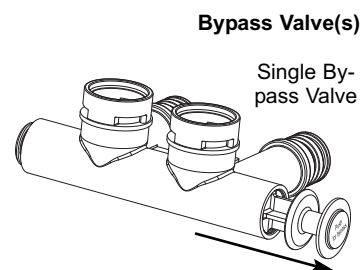
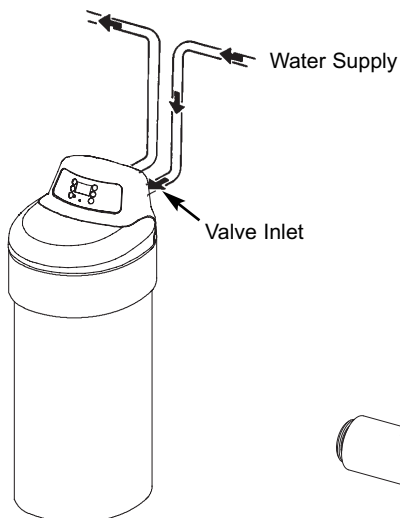
Questions? Call The Kenmore Water Line 1-800-426-9345

Check List

CHECK LIST OF STEP-BY-STEP GUIDES TO INSTALL

Review the following list to ensure you have completed all the installation procedures.

- ___ 1. Check the incoming water. Has incoming water been tested?
- ___ 2. Remove cardboard packaging from salt tank.
- ___ 3. Is the incoming water going to the valve inlet?
- ___ 4. Is the bypass valve placed into the service position?
- ___ 5. Is the ground clamp installed?
- ___ 6. Are the drain lines clamped and secured?
- ___ 7. Is the unit plugged into a continuously live outlet?
- ___ 8. Has salt been added to the salt tank?
- ___ 9. Has the unit been sanitized? See page 19.



Note: Stem may be installed in either direction. The end with writing should be pulled out for service position.

FOR SERVICE
Close bypass valve.
Open inlet & outlet valves.

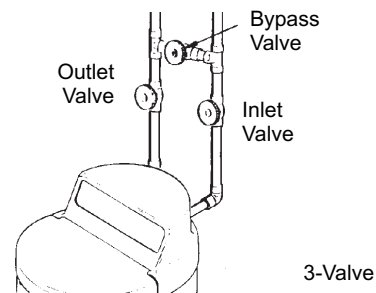


FIG. 30

Faceplate Timer Features

EXTRA RECHARGE

Sometimes, a manually started regeneration (recharge) may be desired, or needed. Two examples are:

- You have used more water than usual (guests visiting) and you may run out of soft water before the next timer started regeneration.
- You did not refill the softener with salt before it was gone. Add salt to the softener before regenerating.

You can start a regeneration right away, or you can set the timer to regenerate at the next 2:00 AM (or other pre-set recharge time).

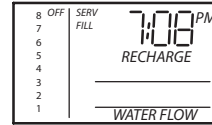


FIG. 31

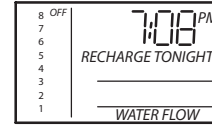


FIG. 32

RECHARGE NOW

Press the REGENERATION button and *hold* until *RECHARGE, Serv and Fill begin to flash in the display. Upon reaching fill, the first cycle of regeneration, the flashing Serv goes off and Fill is on steady. RECHARGE continues to flash. This regeneration will last for about 2 hours. After the 2 hours, you will have soft water again.

* **NOTE:** If the CLEAN feature is set to ON, a cleaning backwash (CLEAN and Bkwhs or Rinse flashes in the display, along with the minutes of the clean cycle remaining) precedes the recharge.

RECHARGE TONIGHT

Press and release (*do not hold*) the REGENERATION button. RECHARGE TONIGHT flashes in the display, and the softener begins regeneration at the next preset recharge time. Press and release the REGENERATION button once more if you decide to cancel the regeneration, and RECHARGE TONIGHT will not flash in the display.

SALT MONITOR SYSTEM

The face plate timer has a low salt monitor with an indicator light to remind you to add salt to the storage tank.

To set this monitor system:

1. Lift the salt hole cover and level the salt in the storage tank.
2. The salt level decal, on the brinewell inside the tank, has numbers from 0 to 8 (see Fig. 33). Observe the number the leveled salt is at or closest to.
3. Now, press the SALT LEVEL ADJUST button until black bars display up to the salt level number. For example, the figure shows the salt level at 6.
4. Finally, set the level you want the low salt indicator light to come on. Press the SIGNAL LIGHT ADJUST button until a (*) shows opposite this number. In the example, the light will come on when the stored salt

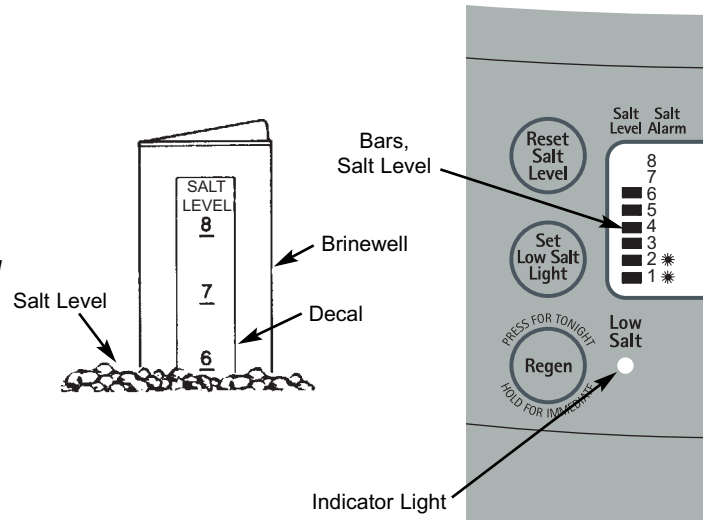


FIG. 33

drops to level 2. At level 2, the storage tank is about 1/3 full. This is the lowest you should allow the stored salt level to drop to.

5. If you wish to turn the salt monitor off, press the SIGNAL LIGHT ADJUST button until OFF shows above.

NOTE: Your salt monitor is an estimate of your salt level; accuracy depends on the type of salt used and other regeneration characteristics.

ADDING SALT TO STORAGE TANK

The Salt Monitor System will turn the low salt light on to warn you when to refill with salt. Check for a low salt light a few weeks after you install the softener, and every week after that. Add salt at about the #2 salt monitor level. At this level, the tank is about 1/3 full. Never let the softener use all the salt before refilling. Without salt, you will soon have hard water. After filling, reset the Salt Monitor System.

Note: You will have a loss in softening capacity and may get partly hard water if less than 10 inches (salt monitor level 2) of salt is in the storage tank.

Faceplate Timer Features

OPTIONAL SETTINGS:

- SALT EFFICIENCY
- CLEAN FEATURE
- CLEAN FEATURE MINUTES
- MAXIMUM DAYS BETWEEN REGENERATIONS
- 97% FEATURE
- 12 / 24 HOUR CLOCK

1. To set any of the following options, press and hold SELECT for 3 seconds until 000 shows in the display. Then press once until the SALT EFFICIENCY display shows. Use the UP or DOWN buttons to change the ON / OFF displays.

Salt Efficiency. When this feature is ON, the unit will operate at salt efficiencies of 4000 grains of hardness per pound of salt or higher, which will reduce the softeners salt usage. (May recharge more often using smaller salt dosage and less water). When installing this unit in the State of California, this setting **MUST** be ON.

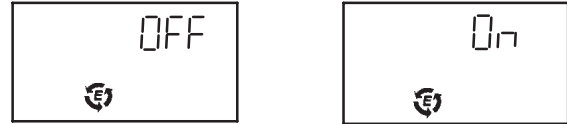


FIG. 34

California Efficiency Requirement

Your Kenmore Water Softener has a "High Efficiency" feature with an "ON" or "OFF" setting. This softener setting is shipped in the "OFF" position, which utilizes the maximum rated capacity while most often achieving maximum salt efficiencies. When installing this unit in the State of California, you **MUST** turn this setting to the "ON" position which may initiate more frequent recharges, however it will operate at 4000 grains per pound of salt or higher.

2. Press SELECT again to show the CLEAN display.

Clean. This feature is beneficial on water supplies containing iron and/or high amounts of sediments (sand, silt, dirt, etc.). When set to ON, a backwash and fast rinse cycle will occur first, preceding the normal regeneration sequence (see pages 26 - 28). This provides extra cleaning of the resin bed before it is regenerated with the salt brine. To conserve water, if your water supply does not contain iron or sediments, be sure this feature is set to OFF. The default is OFF.



FIG. 35

3. Press SELECT again until the CLEAN TIME display shows.

Clean feature minutes: If you are using this feature, the length of the extra backwash cycle automatically is set to 7 minutes. However, you can adjust this time from 1 to 15 minutes in length. To change this cycle time, use the UP button to increase, the time, or the DOWN button to shorten the time. If no change is desired, continue to next step.

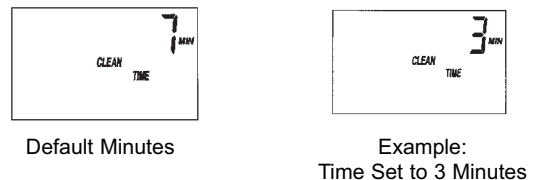


FIG. 36

Questions? Call The Kenmore Water Line 1-800-426-9345

Faceplate Timer Features

4. Press SELECT again to show the following RECHARGE display.

EXAMPLE: Set to 4 days maximum between regenerations.

Maximum Days Between Regenerations: The faceplate timer automatically controls regeneration frequency. This provides the greatest operating efficiency, and under most conditions this feature will be left in its default mode. However, you can modify this feature if you want to force a regeneration every set number of days. For example, if your water supply contains iron and you want the softener to regenerate at least once every few days to keep the resin bed clean, set the display as typically shown above. Setting is available from 1 to 6. Press SELECT to return to the present time display.



Default Display



Example:
Set to 4 Days Maximum
Between Regeneration

5. Press SELECT to show the 97% display.

97% Feature: The 97% Feature can save salt and water by regenerating when 97% of the softener's capacity has been used up. With this feature ON, the regeneration can occur at any time (whenever the system has reached 97% of its capacity). The default is OFF. If this feature is desired, turn it on by pressing the UP button.

IntelliSoft is a new Kenmore exclusive technology built into your system's electronic control. IntelliSoft ensures that your softening system provides you with the most accurate salt dose to fit your water use needs, providing you with industry leading water and salt savings.



6. Press SELECT to show the 12 HOUR display.

12 or 24 hour clock: All time displays are shown in standard clock time (1 to 12 PM; and 1 to 12 AM) at the 12 hr default setting. If Military time displays are desired, set to 24 hr by pressing the UP button.



WATER FLOW THROUGH THE SOFTENER

If soft water is in use, the water flow bars continually scroll across the display. The bars scroll slowly when water flow is slow, and move faster as water flow increases. The flow bars do not show when all faucets and water using appliances are off.

Flow bars scroll when soft water is in use.

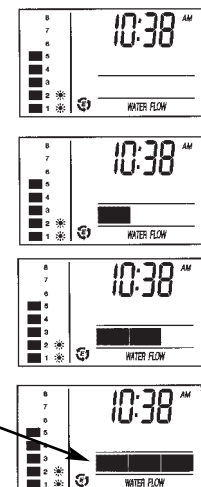


FIG. 37

Questions? Call The Kenmore Water Line 1-800-426-9345

Faceplate Timer Features

RECHARGE TIME REMAINING AND VALVE POSITION INDICATORS

One of the valve position indicators (Serv, Fill, Brine, Bkwh, Rinse) is displayed while the softener is recharging. RECHARGE flashes in the display and, beginning with Brine, the minutes of recharge remaining before return to service appears in place of the present time. When the valve is moving from one cycle to another, both position indicators are flashing. See Fig. 38.

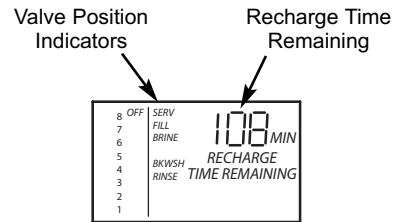


FIG. 38

PROGRAM MEMORY

If electrical power to the softener goes off, the time display is blank but the face plate timer keeps the correct time for about 6 hours. When electrical power comes on again, you have to reset the present time only if the display is flashing. The HARDNESS and RECHARGE TIME never require resetting unless a change is desired. Even if the timer is incorrect after a long power outage, the softener works as it should to keep your water soft. However, regenerations may occur at the wrong time of day until you reset the timer to the correct time of day.

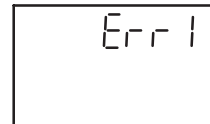


FIG. 39

ERROR CODE

An error code could appear in the face plate display if a problem occurs in the softener electronics. Turn to the Troubleshooting section to resolve the problem and/or call the Kenmore Water Line number listed below.

KENMORE'S ULTRA CLEANSING FEATURE

The ultra cleansing feature keeps larger particles of sediment from entering the home's plumbing system. As water passes through the softener, the larger sediment particles are collected in the integrated basket and then rinsed to the drain before each regeneration. The ultra cleansing feature provides added protection for water using appliances by reducing the chance of larger particles entering the various products valves and screens. The "Clean Feature" may be turned ON to provide an extra backwash that will help keep the ultra cleansing screen clean. The default is OFF. See Page 23.

Important: The ultra cleansing feature is not intended to replace pretreatment filtration. For problem water applications, additional sediment filtration is recommended.

Sears offers a full line of dedicated sediment filtration products.

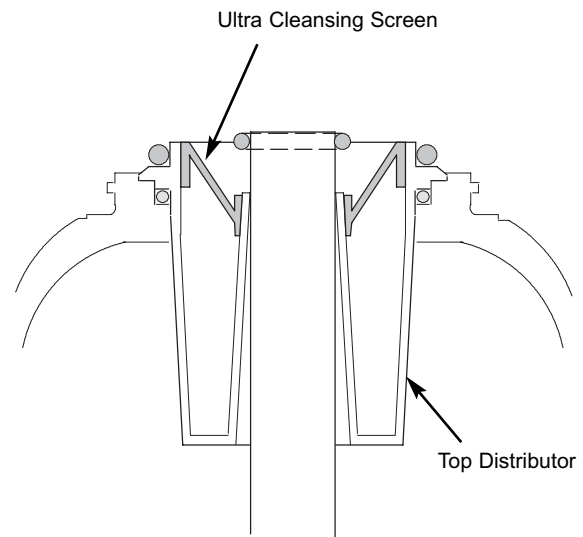


FIG. 40

How Your Water Softener Works

SOFT WATER SERVICE AND REGENERATION

SERVICE

When the softener is giving you soft water, it is called "Service". See Fig. 41. During service, hard water comes from the house main water pipe into the softener. Inside the softener resin tank is a bed made up of thousands of tiny, plastic resin beads. As hard water passes through the bed, each bead attracts and holds the hardness minerals. This is called ion exchanging. Water without the hardness minerals (soft water) flows out of the softener and into the house soft water pipes. After a period of time, the resin beads hold all of the hardness minerals they can, and cleaning with salt brine is needed. This cleaning is called regeneration or recharge. Regeneration is started at 2:00 a.m. by the electronic timer. It takes place in 5 stages or cycles.

- These are:
1. Fill
 2. Brining
 3. Brine Rinse
 4. Backwash
 5. Fast Rinse

NOTE: If the Clean Feature is set to "On", additional backwash and fast rinse cycles occur before the fill cycle.

REGENERATION

The five steps listed above are described in detail over the next several pages.

FILL: Salt, dissolved in water, is called brine. Brine is needed to clean the hardness minerals from the resin beads. To make the brine, water flows into the salt storage area during the fill stage. See Fig. 42. Fill cycle length depends on how much soft water making capacity you have used since the last regeneration. As you use more water, fill time increases so more brine is made. The greater amount of brine cleans more hardness minerals from the resin bed.

WATER FLOW THROUGH THE SOFTENER IN SERVICE

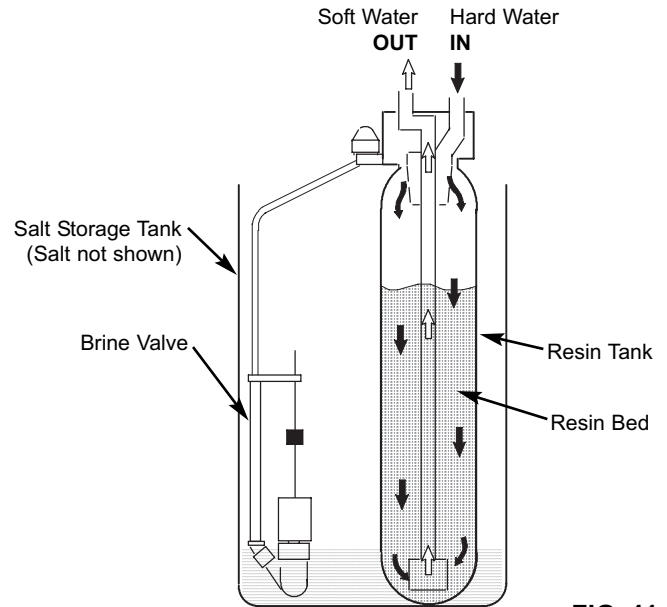


FIG. 41

WATER FLOW THROUGH THE SOFTENER IN FILL

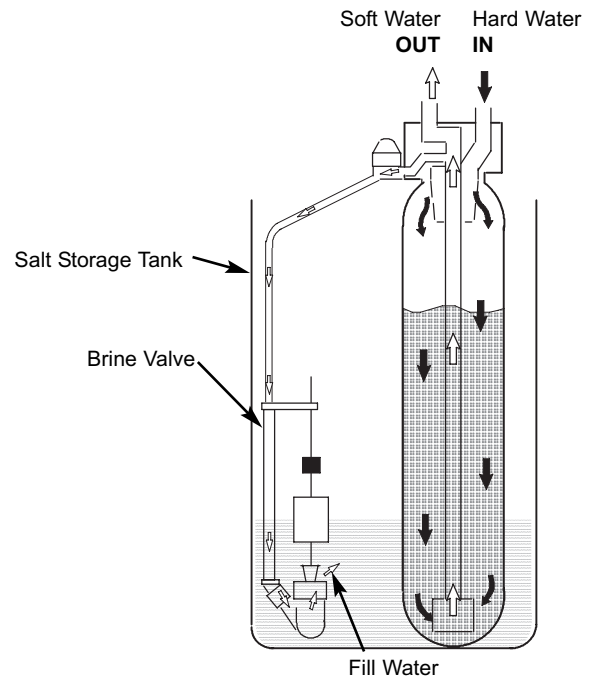


FIG. 42

Questions? Call The Kenmore Water Line 1-800-426-9345

How Your Water Softener Works

SOFT WATER SERVICE AND REGENERATION

BRINING: During brining, the brine is moved from the salt storage area, into the resin tank. See Fig. 43. Inside the resin tank, brine cleans hardness minerals from the resin beads and they are discharged out the drain. How much brine is needed to clean the resin depends on:

- The amount of water used between regenerations.
- The amount of resin in the softener,
- How fast the brine goes through the bed.

The nozzle and venturi makes suction to take brine from the salt tank and put it into the resin tank. They keep the brine flow down to a very slow rate to get the best resin cleaning with the least salt.

BRINE RINSE: After all of the brine is moved into the resin tank, the brine valve closes. Water keeps flowing the same way it did during brining except the brine flow has stopped. Hardness minerals and brine flush from the resin tank to the drain. Brining and brine rinse together vary in the length of time they take, relative to the fill cycle length. See Fig. 43.

BACKWASH: During backwash, water flows UP through the resin tank at a fast rate to flush iron minerals, dirt and sediments from the bed and to the drain. The bed lifts and expands for good cleaning. See Fig. 44.

WATER FLOW THROUGH THE SOFTENER IN BRINING AND BRINE RINSE

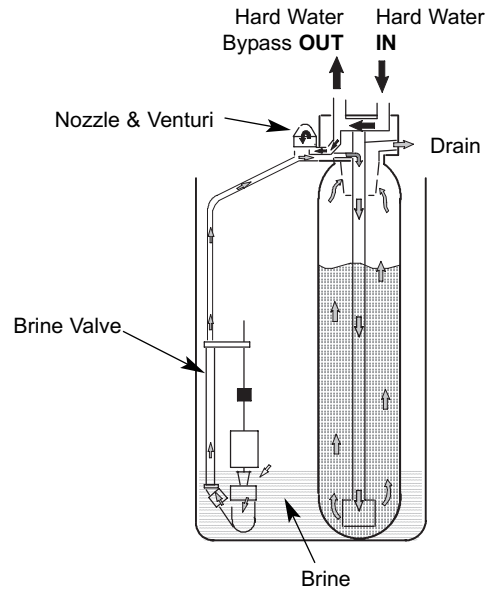


FIG. 43

WATER FLOW THROUGH THE SOFTENER IN BACKWASH

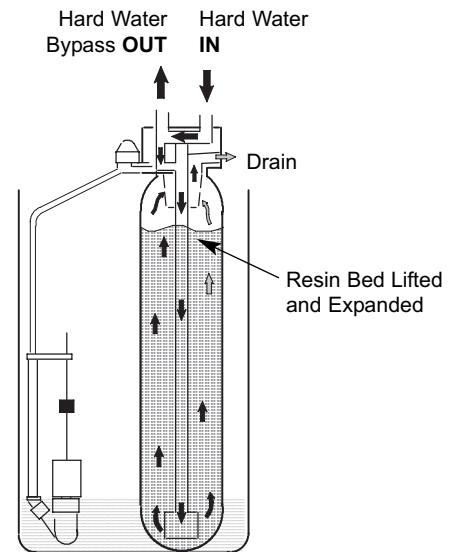


FIG. 44

How Your Water Softener Works

FAST RINSE: Backwash is followed by a fast flow of water down through the resin tank. The fast flow packs the resin bed and gets it ready for return to service. See Fig. 45.

After fast rinse, the softener returns to service. Hard water goes into the resin tank where the resin bed again takes out the hardness minerals. Soft water goes to the house soft water pipes.

SOFT WATER SERVICE AND REGENERATION

AUTOMATIC BYPASS

During the brining, brine rinse and backwash cycles of regeneration, HARD water goes through the softener valve and to the house pipes. If a faucet is opened, hard water is there for your needs. However, you should not use hot water, if possible, because the water heater will refill with hard water. The softener, as factory programmed, regenerates from 2:00 AM to about 4:20 AM, a time when not much water is used.

If you start your day prior to 4 AM, you may need to change the recharge starting time. Set the recharge time to 12:00 AM or 1:00 AM. Then regeneration will start and end that much earlier and your water heater will not refill with hard water if a hot faucet is opened.

ELECTRONICS

Two main parts of the softener's electronics are: a WATER METER, and a COMPUTER.

- **WATER METER** The water meter is in the softener valve outlet. As water flows through the meter, it sends electric pulses to the computer. The computer changes the pulses to a measure in gallons of water.
- **COMPUTER** The computer is part of the faceplate timer circuit board. It is programmed to know the softener's capacity (how many grains of hardness minerals it will take out of the water before a regeneration is needed). When starting the softener, you set it for the grains per gallon (gpg) hardness of the water.

To find a regeneration pattern best for your needs, the computer uses:

- (1) water usage from the meter
- (2) hardness setting
- (3) softener capacity
- (4) time since the last regeneration.

The computer always adjusts this pattern to your water using habits. It works toward providing you with soft water for the longest time and at the most efficient salt usage.

WATER FLOW THROUGH THE SOFTENER IN FAST RINSE

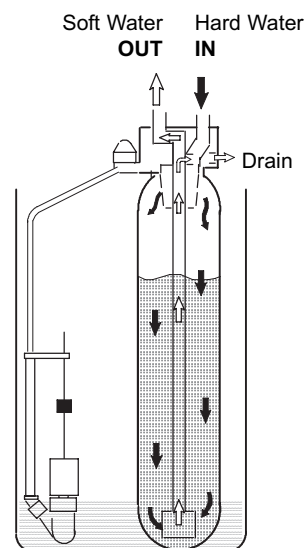


FIG. 45

Softening capacity is used as hard water goes through the softener and hardness minerals are removed. When the computer determines that only enough capacity remains to provide soft water up to the next regeneration starting time (2:00 AM, or as otherwise set) it will schedule a regeneration. When the regeneration begins, *RECHARGE or RECHARGE TIME REMAINING flashes during the regeneration.

* **Note:** If the CLEAN feature is set to ON, a cleaning backwash (CLEAN and Bkwh or Rinse flashes in the display, along with the minutes of the clean cycle remaining), precedes the recharge.

Questions? Call The Kenmore Water Line 1-800-426-9345

Care Of Your Water Softener

SALT BRIDGE

Sometimes, a hard crust or salt bridge forms in the salt storage tank. It is usually caused by high humidity or the wrong kind of salt. When the salt bridges, an empty space forms between the water and salt. Then salt will not dissolve (melt) in the water to make brine. Without brine, the resin bed does not regenerate and you will have hard water.

If the storage tank is full of salt, it is hard to tell if you have a salt bridge. Salt is loose on top, but the bridge is under it. The following is the best way to check for a salt bridge.

Salt should be loose all the way to the bottom of the tank. Hold a broom handle, or like tool, up to the softener as shown in Fig. 46. Make a pencil mark on the handle, 1" or 2" below the top height of the rim. Then, carefully push it straight down into the salt. If a hard object is felt before the pencil mark gets to the top of the tank, it's most likely a salt bridge. Carefully push into the bridge in a few places to break it. **Do not try to break the salt bridge by pounding on the outside of the salt tank. You may damage the tank.**

If the wrong kind of salt made the bridge, take it out. Then fill the tank with nugget or pellet salt only.

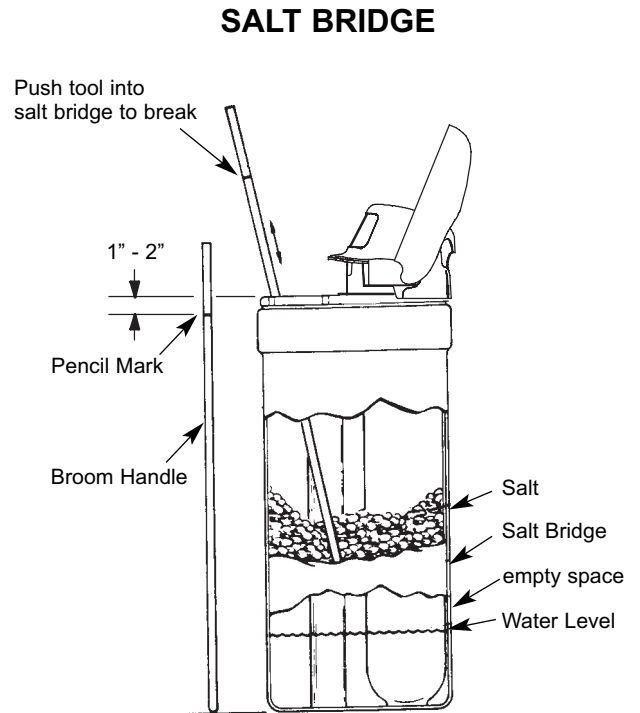


FIG. 46

Care Of Your Water Softener

KEEPING THE WATER SOFTENER CLEAN

NOZZLE & VENTURI

A clean nozzle and venturi (see Fig. 47) is a must for the softener to work right. This small unit moves brine from the salt storage tank to the resin tank during regeneration. If it becomes plugged with sand, silt, dirt, etc., the softener will not work and you will get hard water.

To clean the nozzle and venturi, complete the following steps:

1. Remove the softener top cover. Be sure the softener is in service cycle (no water pressure at nozzle and venturi).
2. Turn off the cap from the nozzle and venturi housing.
3. Lift out the screen support and screen. Do not lose the large o-ring seal.
4. Remove the nozzle and venturi. Wash and rinse the parts in warm water until clean. If needed, use a small brush to remove iron or dirt. Also check and clean the gasket, flow plugs and screens.
5. Carefully replace all parts in the correct order.
6. Lubricate the o-ring seal with silicone grease or Vaseline and place in position.
7. Install and tighten the cap, **by hand only. Do not overtighten, which may break the cap or housing.**

IRON FROM RESIN BED

Your water softener takes hardness minerals (calcium and magnesium) out of the water. It can also control some "clear water" iron. See maximum allowed in the specifications section in this manual. With clear water iron, water from a faucet is clear when first put into a glass. After 15 to 30 minutes, the water begins to cloud or turn rust colored. A water softener WILL NOT remove any iron which makes the water cloudy or rusty as it comes from the faucet (called red water iron). To take red water iron out of water, or over the maximum of clear water iron, an iron filter or other equipment is needed. Your local Sears store has trained people to help you with iron water problems.

If your water supply has clear water iron, even though less than the maximum allowed, regular resin bed cleaning is needed. Your local Sears store has resin bed cleaner for this. See Parts List in back of manual for part numbers. Clean the bed at least every six (6) months. If iron shows up in the soft water before six (6) months, clean more often. Printed instructions are on the resin bed cleaner bottle.

CLEANING NOZZLE & VENTURI

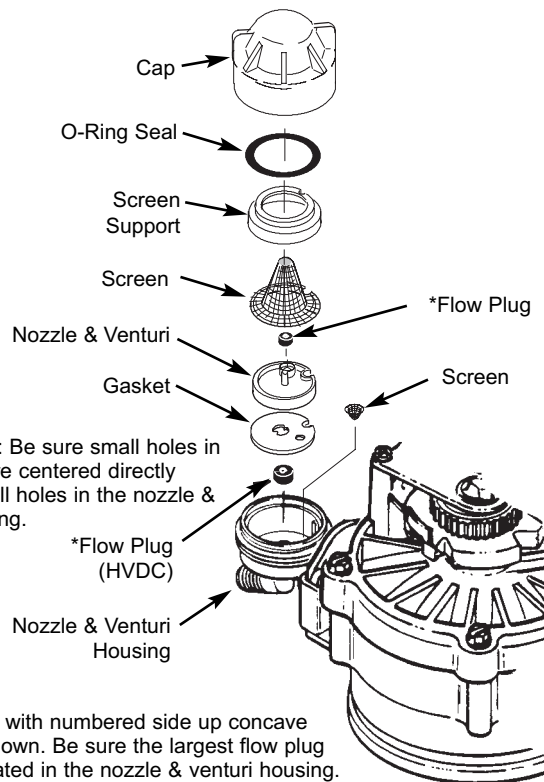


FIG. 47

Care Of Your Water Softener

PROTECT THE WATER SOFTENER FROM FREEZING

If the softener is installed where it could freeze (summer cabin, lake home, etc.), you must drain all water from it to stop possible freeze damage. To drain the softener:

1. Close the shut-off valve on the house main water pipe, near the water meter or pressure tank.
2. Open a faucet in the soft water pipes to vent pressure in the softener.
3. Move the stem in a single bypass valve to bypass. Close the inlet and outlet valve in a 3 valve bypass system, and open the bypass valve. If you want water in the house pipes again, reopen the shut-off valve on the main water pipe.
4. Unplug the transformer at the wall outlet. Remove the salt hole cover and the main cover. Take off both drain hoses.
5. Carefully remove the large holding clips at the softener inlet and outlet. Separate the softener from the plastic installation adaptors, or from the bypass valve.
6. Remove the brinewell cover and disconnect the brine valve tubing at the nozzle and venturi assembly. Lift the brine valve out of the brinewell. Tip the brine valve upside down to drain water.
7. Lay a piece of 2 inch thick board near the floor drain. Move the softener close to the drain. **SLOWLY and CAREFULLY**, tip it over until the rim rests on the wood block with the inlet and outlet over the drain. **Do not allow the softener's weight to rest on the inlet and outlet fittings or they will break.**
8. Tip the bottom of the softener up a few inches and hold until all water has drained. Leave the softener laying like this until you are ready to use it. Plug the inlet and outlet with rags to keep dirt, bugs, etc. out.

DRAIN ALL WATER FROM SOFTENER

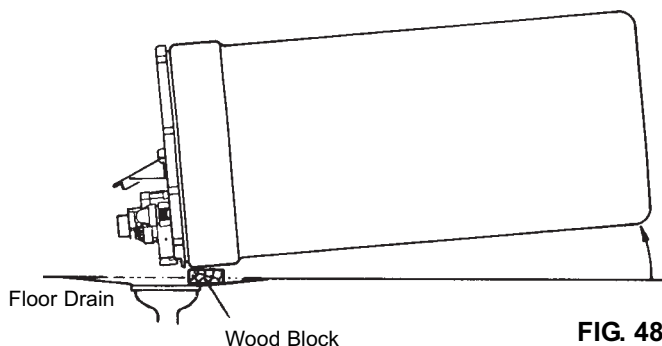


FIG. 48

Care Of Your Water Softener

CHECKLIST TO HELP YOU SAVE MONEY

If your water softener fails to work, make the following easy checks. Often, you will find what is wrong yourself and you won't have to call and wait for service. If you do not find anything wrong, while making the checks, and your softener still does not work, call your Sears Service Department.

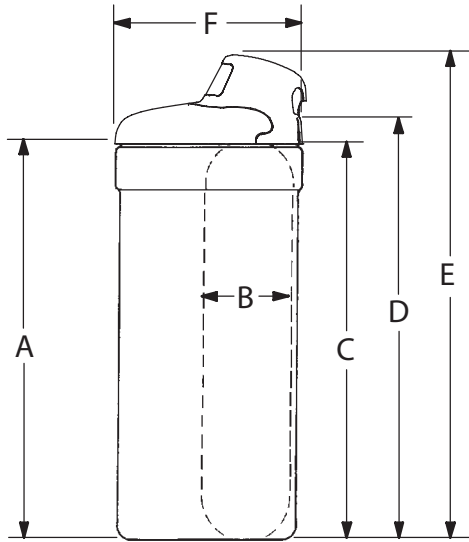
1. Also read ERROR CODE.

2. If an error code is not displayed, press and *hold* the SELECT button until the display changes. Then, press the SELECT button again and *hold* until a flashing model code appears. For Model No. 625.383560 it must show **S 32**. If any other number shows, the face plate computer is working on incorrect input and would probably be the cause of the problem. **To set the correct code**, press either the UP or DOWN button. When correct model code (S 32) shows, press SELECT to return a flashing 12:00 AM display. *Reset the present time, hardness number, etc.*

PROBLEM	CAUSE	CORRECTION
No soft water	No salt (or salt bridged) in the storage tank	Add salt, see page 20, or break the salt bridge, see page 29. Press REGENERATION button and hold to start a regeneration, see page 22.
	Transformer unplugged at the wall outlet, or power cable leads loose from the electronic board, fuse blown, circuit breaker popped, or circuit switched off.	Check for loss of power due to any of these and correct. With the power back on, look at the time display and read PROGRAM MEMORY, see page 25.
	Manual bypass valve(s) in bypass position	Look at Fig. 18 & 19 on page 15. Move the stem in a single valve to service. In a 3-valve bypass, open the inlet and outlet valve, and be sure to fully close the bypass valve.
	Dirty, plugged or damaged nozzle venturi	Take apart and clean or replace damaged parts, see page 30.
	Valve drain hose plugged or restricted	The drain hose must not have kinks, sharp bends, or be raised too high above the softener, see page 14.
Water hard sometimes	Hardness number setting too low	Press and release the SELECT button until HARDNESS shows in the display. Read the hardness number in the display and be sure the same grains per gallon number is shown as on your water analysis report. See page 18 to reset. Press and release the SELECT button until the present time shows in the display.
	Using hot water when softener is regenerating	Avoid using hot water during this time because the water heater refills with hard water, see Automatic Bypass, page 28.
	Increase in the grains of hardness in your water supply	Ask your Sears retail store for a new water analysis. Then make a new hardness number setting, page 18.
Brine tank flooded	Restricted drain line	Check for kinks, bends or obstructions, see page 14.
	Plugged or dirty nozzle & venturi	Take apart and clean or replace damaged parts, see page 30.
	Valve rotor-disc & seals	Check for scratches or grooves, replace if needed.
Salty tasting water immediately after regeneration	Restricted drain line	Check for kinks, bends or obstructions, see page 14.

Questions? Call The Kenmore Water Line 1-800-426-9345

Specifications

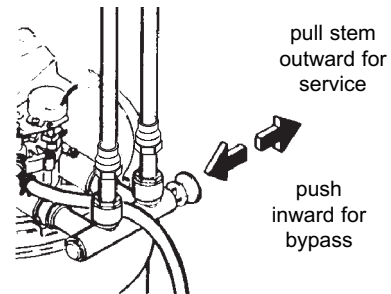


		Inches	cm
A	Salt Tank Height	40-1/4	102.2
B	Resin Tank Diameter (nominal)	9	22.9
C	Resin Tank Height (nominal)	40	101.6
D	Inlet-Outlet Height	41-1/2	105.4
E	Overall Height	47-3/4	121.3
F¹	Length	19-3/4	50.2
F²	Width	16-1/2	41.9
-	Distance between inlet-outlet centerlines	3-3/8	8.6

BYPASS VALVES

Bypass valve(s) should always remain in soft water service position. Position in "bypass" only if needed for softener repairs.

SINGLE BYPASS



3 VALVE BYPASS

FOR SERVICE
close bypass valve
open inlet & outlet valves

FOR BYPASS
open bypass
close inlet & outlet

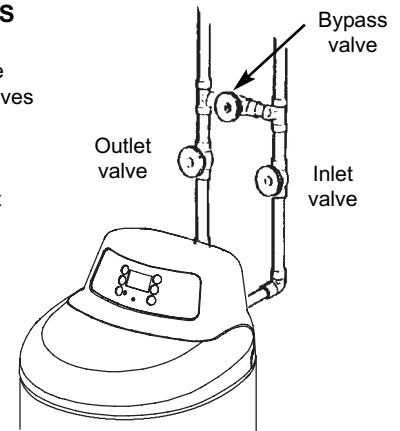


FIG. 49

MODEL NO. 625.383560 - TIMER CODE S 32

WATER SUPPLY TO WATER SOFTENER	
Minimum water system flow (gpm)	3
Minimum-maximum water pressure (psi)	20 - 125
Minimum-maximum water temperature (°F)	40 - 120
Maximum water hardness (gpg)	100
Maximum "clear water" iron (ppm)*	9
SALT FOR WATER SOFTENER	
Type of salt needed	nugget
Alternate type of salt	pure, evaporated, compacted water softener salt

gpm = gallons per minute gpg = grains per gallon
psi = pounds per square inch ppm = parts per million

* Capacity to remove clear water iron is substantiated by WQA test data. State of Wisconsin requires additional treatment if water supply contains greater than 5 ppm clear water iron.

Questions? Call The Kenmore Water Line 1-800-426-9345

Specifications

Pressure Drop (PSI) vs. Flow Rate (GPM)

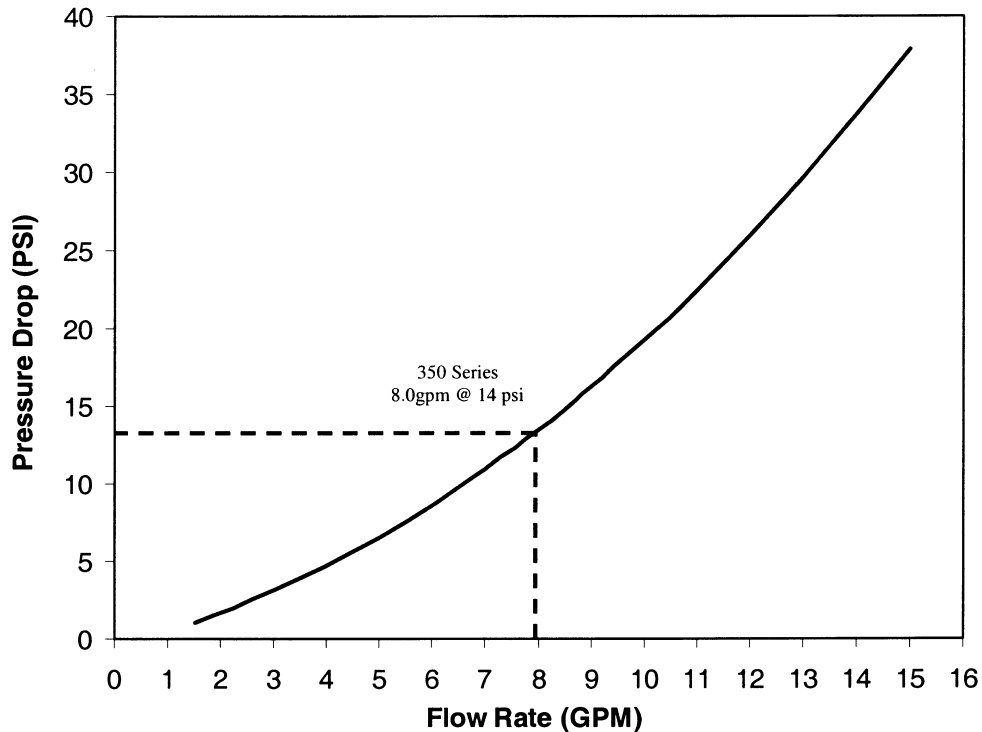


FIG. 50

OTHER SPECIFICATIONS	
Type of ion exchange material (resin)	high capacity
Amount of resin (cu. ft.)	0.92
Rated Softening Capacity (Grains @ Pounds Salt Dose)	14,200 @ 2.8 29,900 @ 8.8 35,600 @ 14.7
Efficiency Rating (Grains / Pound of Salt @ Minimum Salt Dose)	5060 @ 2.8
Rated Service Flow Rate (gpm)	8.0
Pressure Drop at Rated Service Flow Rate (psi)	14
Intermittent Flow Rate @ 15 psi (gpm) *	8.5
Max. Drain Flow Rate (gpm)	2.0

* Intermittent flow rate does not represent the maximum service flow rate used for determining the softeners rated capacity and efficiency. Continuous operation at flow rates greater than the service flow rate may affect capacity and efficiency performance.

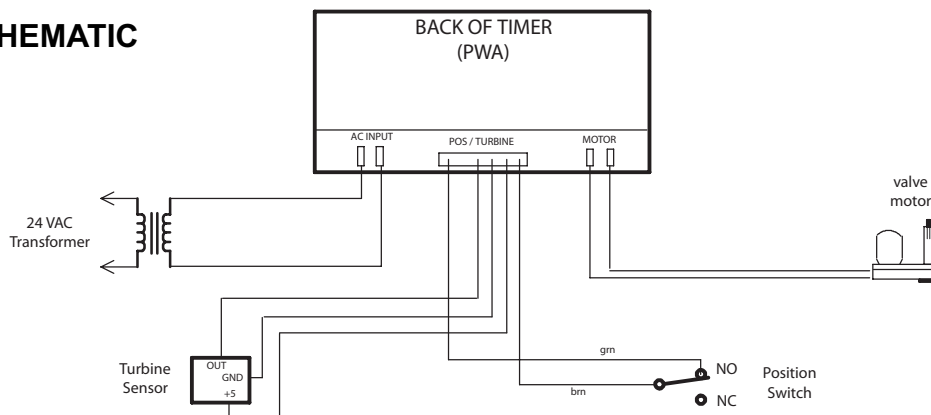
These systems conform to NSF / ANSI 44 for the specific performance claims as verified and substantiated by test data.

The efficiency rating is only valid at the minimum stated salt dosage. These softeners were efficiency rated according to NSF / ANSI Standard 44.

Questions? Call The Kenmore Water Line 1-800-426-9345

Service Tech Information

WIRING SCHEMATIC



FACEPLATE

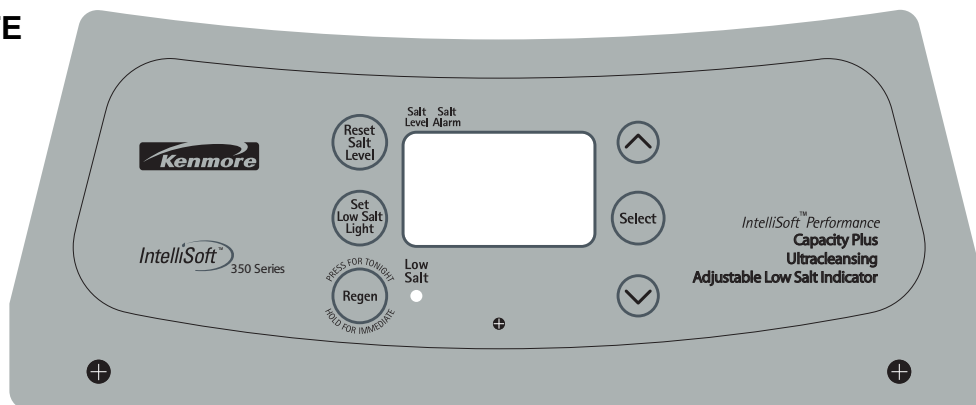


FIG. 51

Keep this manual with your water softener. If repairs are needed, the service technician must have the information on the following pages.

ALWAYS MAKE THESE INITIAL CHECKS FIRST

1. Does the time display show the correct time of day?

- If display is blank, check power source to the softener.
- If time is flashing, power was off for over 6 hours. The softener resumes normal operation but regenerations occur at the wrong time.
- If an error code (Example: Err3) shows in the faceplate display, go to AUTOMATIC ELECTRONIC DIAGNOSTICS.

2. Plumbing bypass valve(s) must be fully in service position.

3. The inlet and outlet pipes must connect to the softener inlet and outlet respectively.

4. Is the transformer plugged into a "live", grounded wall outlet, and the power cable fastened securely to the controller?

5. The valve drain hose must be free of kinks and sharp bends, and not elevated over 8 ft. above the floor.

6. Is there salt in the storage tank?

7. Is the brine tubing connected? Brine tubing connects to nozzle venturi and brine valve assembly.

8. Is the brine valve float set right?

9. Press the SELECT button two times to display the hardness setting.

Be sure it is the correct setting for the household's water supply. (Make a hardness test of the raw water and compare with the hardness setting. Also test a soft water sample to verify if a problem exists.) Press the SELECT button twice more to return to present time in the display.

If you do not find the problem after making initial checks, do the **MANUAL INITIATED ELECTRONIC DIAGNOSTICS**, and the **MANUAL ADVANCE REGENERATION CHECK**.

Service Tech Information

The faceplate timer (PWA) computer has a self-diagnostic function for the electrical system, except put power and water meter. The computer monitors electronic components and circuits for correct operation. If a malfunction occurs, an error code appears in the faceplate display.

The chart below shows the error codes that could appear, and the possible problems for each code.

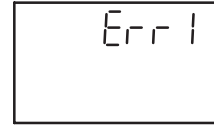


FIG. 52

CODE	POSSIBLE PROBLEM	
	MOST LIKELY	LESS LIKELY
Err1, Err3, Err4	←—————→	
Err5	wiring harness connections at switch and faceplate not connected / position switch inoperable / motor inoperable	
	faceplate timer (PWA)	

While an error code appears in the display, all faceplate buttons are inoperable except the SELECT button. SELECT remains operational so the service person can make the MANUAL INITIATED ELECTRONIC DIAGNOSTICS (below) to further isolate the problem, and check the water meter.

PROCEDURE FOR REMOVING ERROR CODE FROM FACEPLATE:

- Unplug transformer from outlet.
• Plug in transformer.
• Wait for 8 minutes.
- Unplug transformer from outlet.
• Correct problem.
• Plug in transformer.
• Wait for 8 minutes.

The error code will return if the problem was not corrected.

MANUAL INITIATED ELECTRONICS DIAGNOSTICS:

To enter diagnostics, press the SELECT button and hold for three seconds. The display will show valve cycle position, position switch status (open or closed), and turbine operation. See Fig. 53.

TURBINE OPERATION: If no water is flowing through the softener, the turbine indicator displays three zeros. When water is flowing, the flow bar scrolls across the display, and a 000 to 199 count repeats for each gallon of water passing through the turbine. To check for positive operation of the turbine if zeros are shown, open a nearby soft water faucet and observe the turbine count and flow bar. If you don't get a reading in the display, with faucet open, pull the sensor from the valve outlet port. Pass a small magnet back and forth in front of the sensor. You should get a reading in the display. If you get a reading, unhook the in and out plumbing and check the turbine for binding.

POSITION SWITCH STATUS: With the valve in service, or any of the recharge cycles, the switch indicator will show open, while the valve is rotating from one position to another, the indicator will show the switch closed. A defect is probable if indications vary from this pattern.

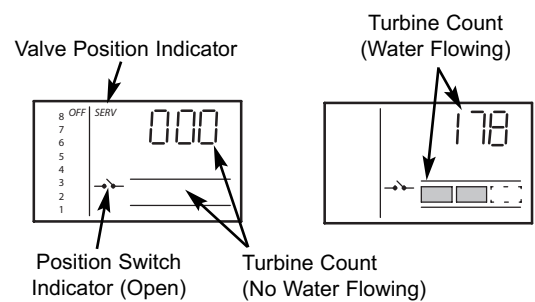


FIG. 53

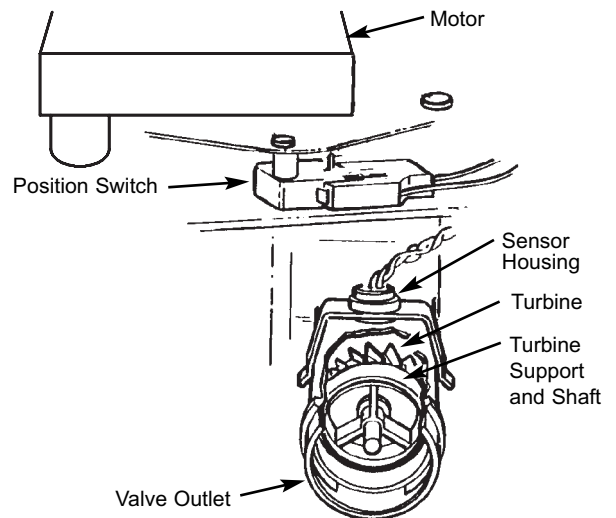


FIG. 54

Questions? Call The Kenmore Water Line 1-800-426-9345

Service Tech Information

TROUBLESHOOTING

VALVE POSITION INDICATORS:

Depending on the valve position, the following indicators show in the display:

Indicator	Valve Position
Serv.....	Service
Fill.....	Fill
Brine.....	Brining/Brine Rinse
Bkwsh.....	Backwash
Rinse.....	Fast Rinse

When the valve is rotating from one cycle to another, both indicators flash. For example, if the valve is in transition between fill and brining, both **Fill and Brine** flash. Upon reaching brining position, Fill goes off and Brine is on steady. The time display shows the minutes of the cycle remaining.

NOTE: If the faceplate is left in a diagnostic display (or a flashing display when setting times or hardness), present time automatically returns if a button is not pressed within 4 minutes. To return to the diagnostic display, repeat step 1.

OTHER INFORMATION

While in this diagnostic screen, the following information is available and may be beneficial for various reasons. This information is retained by the computer from the first time electrical power is applied to the faceplate.

- Press and hold the UP button to display the number of days this faceplate has had electrical power applied.
- Press and hold the DOWN button to display the number of regenerations initiated by this faceplate since the model code number was entered.
- Press the RECHARGE button to advance the valve to each position and observe the switch and position indicators to verify component operation, or to possibly isolate a defect.
- Press and hold the SELECT button for 3 seconds until a model code shows in the display, see Fig. 56.

This code identifies the softener nominal capacity size. If the wrong number shows, the softener will operate on incorrect data. Do the following as needed.

If the correct model code (S 32) shows: Press the SELECT button to return to the present time display.

To change the number: Press the UP or DOWN button until the correct model code (S 32) shows. Then, press the SELECT button and reset the timer.

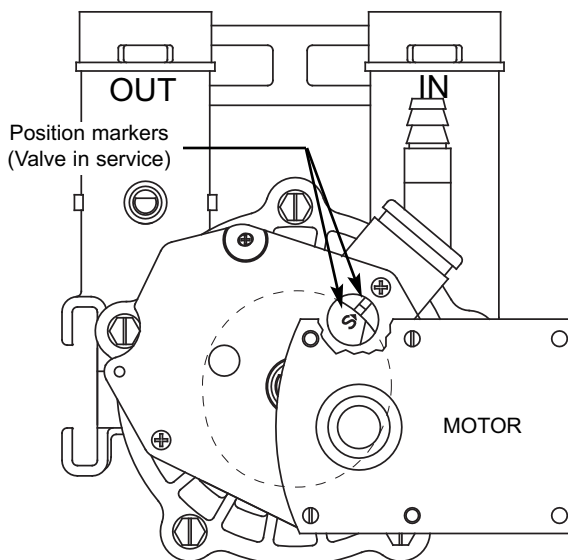


FIG. 55

TIMER PWA REPLACEMENT

Be sure the valve is in service position when replacing the timer PWA (observe valve cycle indicator). If after installing and programming the replacement timer PWA, the valve is not in service position, do the following to assure correct cycle orientation, or timing, between the faceplate and valve.

Use the MANUAL ADVANCE procedures with the REGENERATION button, advance through the recharge cycles until the valve stops in service position, and RECHARGE no longer flashes in the display.

NOTE: The valve motor may automatically drive through several valve positions while searching for service. If an error code occurs, unplug the transformer, then plug in again.

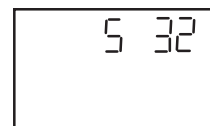


FIG. 56

Service Tech Information

MANUAL ADVANCE REGENERATION CHECK

This check verifies proper operation of the valve motor, brine tank fill, brine draw, regeneration flow rates, and other controller functions. Always make **the initial checks, and the manual initiated diagnostics.**

NOTE: The faceplate display must show a steady time (not flashing). If an error code shows, first press the SELECT button to enter the diagnostic display.

1. Press the REGENERATION button and hold in for 3 seconds. *RECHARGE and Fill begin to flash (or clean backwash begins, if set) as the softener enters the fill cycle of regeneration.

*** NOTE: If the CLEAN feature is set to ON, a cleaning backwash (CLEAN and Bkwhs or Rinse flashes in the display, along with the minutes of the clean cycle remaining), precedes the recharge.**

2. When FILL is on steady, remove the brinewell cover and, using a flashlight, observe fill water entering the tank.
3. If water does not enter the tank, look for an obstructed nozzle, venturi, fill flow plug, brine tubing, or brine valve riser pipe.

CYCLE FLOW RATES (GALLONS PER MIN.)

FILL (flow to salt storage tank)	0.3 (1.1 liters)
BRINING (flow to drain)	.22 (.83 liters)
BRINE RINSE (flow to drain)	.15 (.57 liters)
MAX. BACKWASH (flow to drain)	2.0 (7.6 liters)
MAX. FAST RINSE (flow to drain)	2.0 (7.6 liters)

4. After observing fill, press the REGENERATION button to move the softener into brining. A slow flow of water to the drain will begin. Verify brine draw from the brine tank by shining a flashlight into the brinewell and observing a noticeable drop in the liquid level.

NOTE: Be sure a salt bridge is not preventing water with salt contact.

5. If the softener does not draw brine:
 - nozzle and/or venturi dirty or defective.
 - nozzle and venturi not seated properly on gasket
 - restricted drain (check drain fitting and hose)
 - defective nozzle and venturi seal
 - other inner valve defect (rotor seal, rotor & disc, wave washer, etc.)

NOTE: If water system pressure is low, an elevated drain hose may cause back pressure, stopping brine draw.

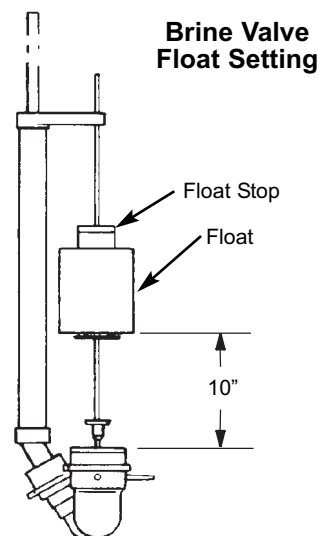


FIG. 57

6. Again press REGENERATION to move the softener into backwash. Look for a fast flow of water from the drain hose.
7. An obstructed flow indicates a plugged top distributor, backwash flow plug or drain hose.
8. Press RECHARGE to move the softener into fast rinse. Again look for a fast drain flow. Allow the softener to rinse for a few minutes to flush out any brine that may remain in the resin tank from the brining cycle test.
9. To return the softener to service, press REGENERATION once more.

Questions? Call The Kenmore Water Line 1-800-426-9345

Service Tech Information

ROTARY VALVE SERVICE

IMPORTANT: Before working on the valve, turn off the water supply and disconnect from electrical power.

TO RELIEVE PRESSURE:

- **3 VALVE BYPASS:** Close the inlet valve and open a soft water faucet. Then close the outlet valve and open the bypass valve.
- **SEARS SPECIAL BYPASS:** Slide the bypass valve stem to bypass position. Loosen three hex head screws toward the back side of the valve to allow pressure water to bleed out. Catch water with a rag.

DISASSEMBLY

To remove a part or group of parts, refer to the valve drawing. A common screwdriver or nut driver, Phillips screwdriver and pliers are the only tools needed to completely disassemble.

SERVICING THE VALVE

Inspect all o-rings, seals and gaskets for wear or defects.

Inspect the bottom surface of the rotor for scratches, chips or wear.

Note: If replacement is needed, be sure to use the current replacement part.

ASSEMBLY

Be sure all parts are in place and in the proper position. Lubricate ALL o-rings and seals with FDA approved silicone grease. To install the rotor seal, first place the seal into the valve groove, rounded side down (see cross-section). Apply a light coating of silicone grease to the seal's crossing ribs. Then, carefully center the wear strip on the seal, and push it downward onto the seal.

Install the nozzle and venturi seal and drain seal.

Assemble wave washer bearing, the wave washer, and two o-rings, onto the rotor top shaft. Then center the rotor in the valve body, on the rotor seal.

Lower the cover onto the valve body and rotor shaft. Then install the cover holding screws. **Before tightening the screws,** install the valve cam and gear.

Then, turn the rotor (clockwise only) to service position. Tighten the screws using a criss-cross pattern. If a torque wrench is available, torque to 30-40 inch pounds. Do not over tighten.

Lubricate the gear on the motor, and the valve cam gear with Molykote grease, or other high quality gear lubricant.

Be sure to orient switch as shown, with lever toward the cam.

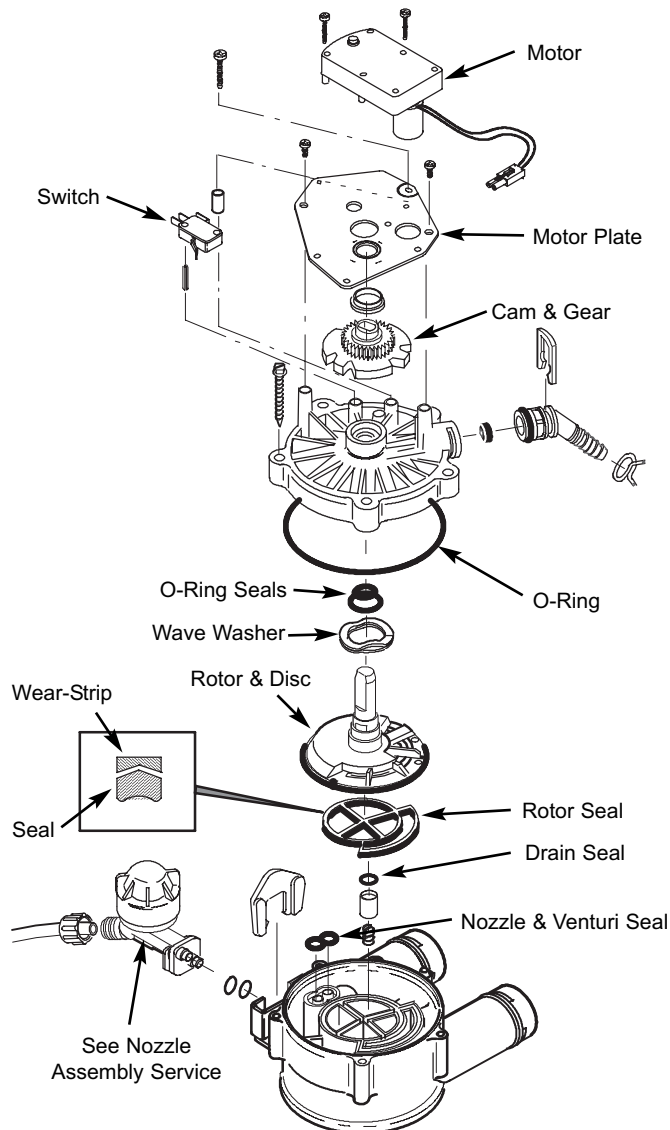


FIG. 58

Service Tech Information

WATER FLOW THROUGH THE SOFTENER VALVE

SERVICE CYCLE

Hard water enters the valve inlet port. Internal valve porting routes the water down and out the top distributor, into the resin tank. Hard water is softened as it passes through the resin bed, then enters the bottom distributor. Soft water flows back into the valve and out the valve outlet, to the house soft water pipes.

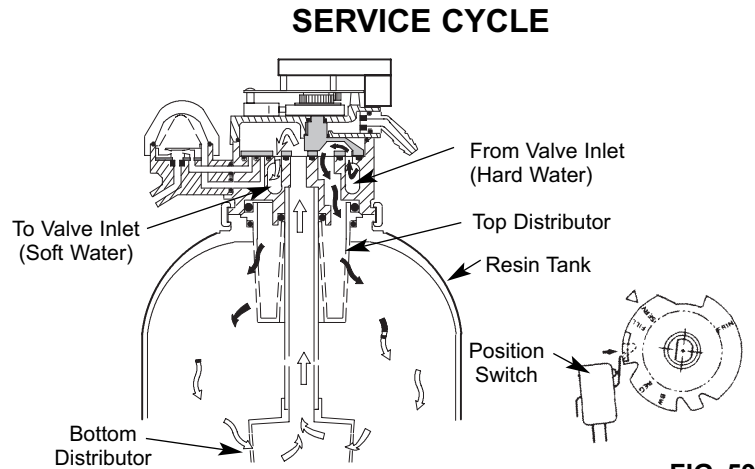


FIG. 59

FILL CYCLE

To begin a regeneration, the electronic timer energizes the circuit to the valve motor. The valve motor rotates the rotor and disc and the valve cam until the position switch lever drops, to open the motor circuit and position the valve in FILL. As the rotor and disc rotates, the port opens for SOFT water fin through the venturi. Fill flow continues to the brine valve, and into the salt storage tank. Soft water is still available to the house lines.in.

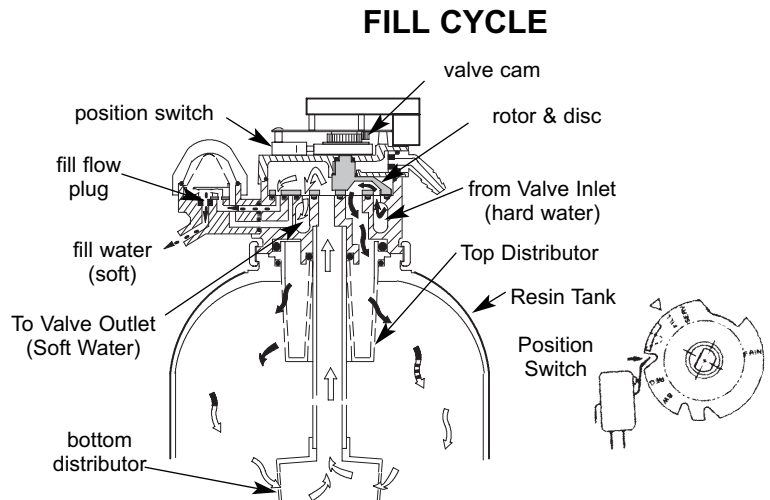


FIG. 60

BRINING AND BRINE RINSE CYCLE

BRINING AND BRINE RINSE CYCLES

After fill, timer/switch action allows the motor to turn the rotor and disc into BRINING position. Water flow is directed to the nozzle. Suction, created by the nozzle and venturi, draws brine from the salt storage tank and injects it into the resin bed via the bottom distributor. Flow continues out the top distributor and to the drain. Hard water is available at the valve outlet.

When the brine valve closes to end brine draw, water flow continues in the same directions to slowly RINSE brine from the resin bed and to the drain.

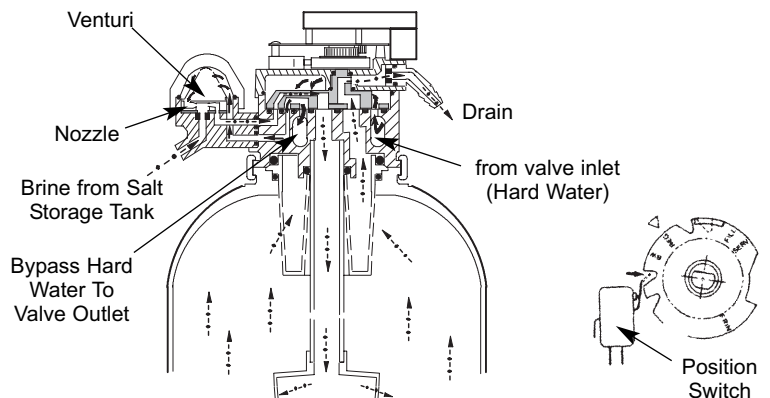


FIG. 61

Questions? Call The Kenmore Water Line 1-800-426-9345

Service Tech Information

WATER FLOW THROUGH THE SOFTENER VALVE

BACKWASH CYCLE

Timer/switch action again allows the motor to turn the rotor & disc to place the valve in BACKWASH, stopping water flow to the nozzle. Water is routed down and out the bottom distributor, up through the bed, and out the top distributor to the drain. The fast flow (controlled by a flow plug in the drain fitting) flushes dirt, sediments, iron deposits, remaining brine and hardness to the drain.

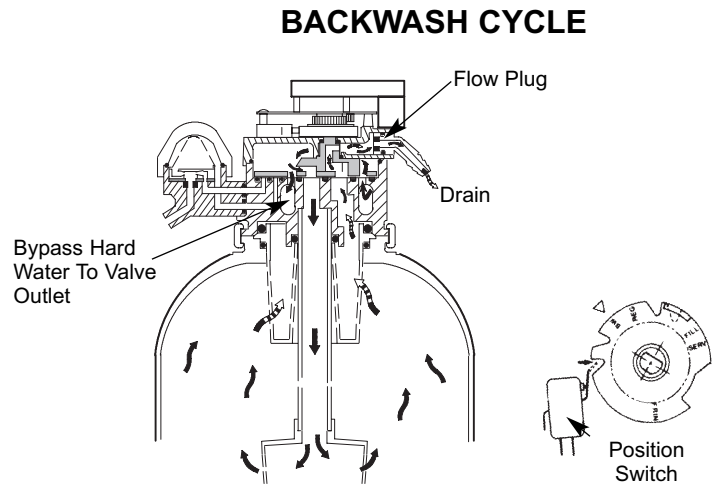


FIG. 62

FAST RINSE CYCLE

During FAST RINSE, the rotor & disc is positioned so water flow enters the resin tank through the top distributor, and exits through the bottom distributor, to the drain.

The electronic timer again energizes the motor to return the valve to *service*. As the valve rotates, the position switch lever drops to open the circuit. The valve remains positioned in service until the electronic timer initiates the next regeneration.

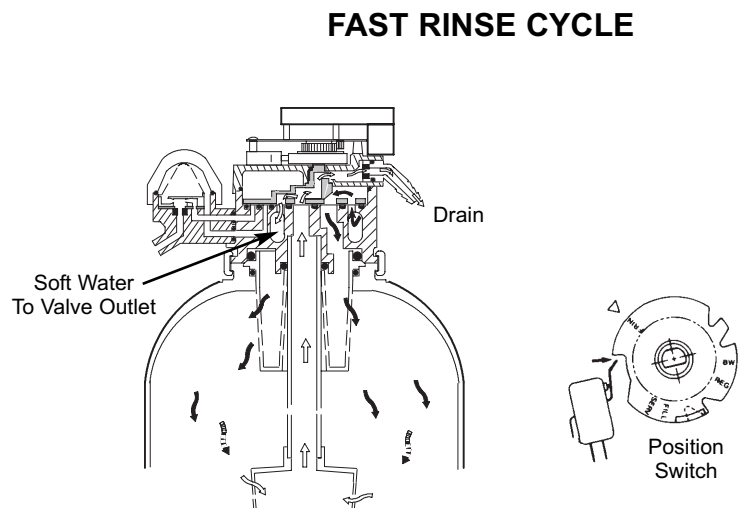
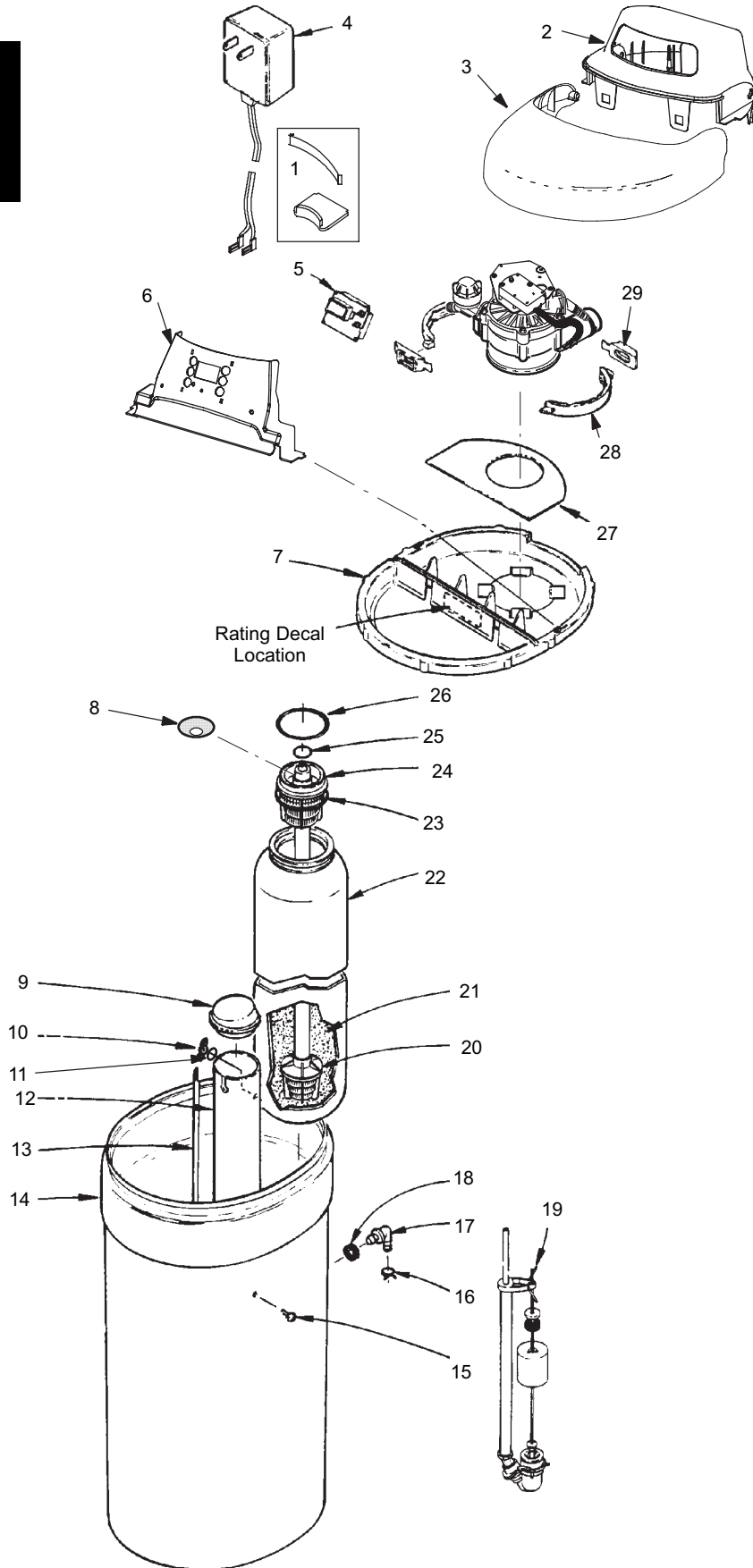


FIG. 63

Exploded View

**Kenmore
Model No.
625.383560**



Questions? Call The Kenmore Water Line 1-800-426-9345

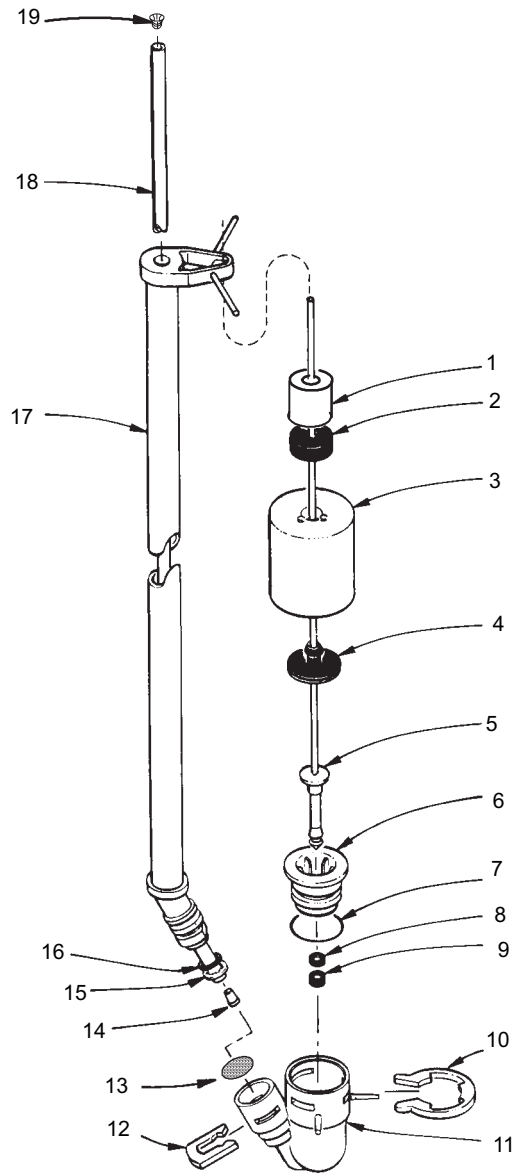
Parts List

Kenmore Model No. 625.383560		
A. WATER SOFTENER COMPLETE		
Key No.	Part Number	Part Description
1	----	Cover Lock (Required for shipping only)
1	----	Rim Insert (Required for shipping only)
2	7284207	Cover (main)
3	7284231	Salt Hole Cover (order following decal)
—	7284249	Instruction Decal
4	7275907	Transformer, 24V-10VA ●
5	7288552	Timer Repl. (PWA)
6	7284574	Faceplate (order following decal)
—	7284558	Faceplate Decal
7	7284621	Rim
8	7265025	Ultra Cleansing Screen
9	7219888	Brinewell Cover
10	7082150	Wing Nut, 1/4"
11	7003847	O-Ring
12	7100819	Brinewell
13	7137913	Decal, Salt Level ①
14	7287140	Salt Storage Drum
15	7284613	Plastic Screw, 1/4" x 5/8"
16	0900431	Tube Clamp ●
17	1103200	Tube Adaptor ●
18	9003500	Grommet ●
19	7310202	Brine Valve Assembly (also see pages 44 & 45)
20	7105047	Replacement Distributor
21	0502272	Resin
22	7301033	Resin Tank (including Key No. 21)
23	7170270	O-Ring, 2-3/4" x 3"
24	7077870	Top Distributor
25	7170254	O-Ring, 13/16" x 1-1/16"
26	7170296	O-Ring, 2-7/8" x 3-1/4"
27	7141001	Vapor Barrier
28	7176292	Clamp Section (2 required)
29	7088033	Clamp Retainer (2 required)
◆	3442699	Resin Bed Cleaner
◆	7287205	Parts Bag (includes parts marked with a ● pages 43, 45 & 47). Order manuals separately if needed.
◆	7282598	Owner's Manual
◆ Not illustrated.		
① Aligns with top of brinewell.		
● Included in parts bag.		

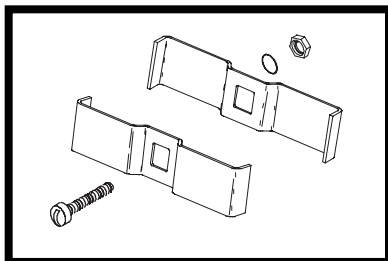
Questions? Call The Kenmore Water Line 1-800-426-9345

Exploded View

**Kenmore
Model No.
625.383560**



**INLET - OUTLET
GROUNDING CLAMPS**



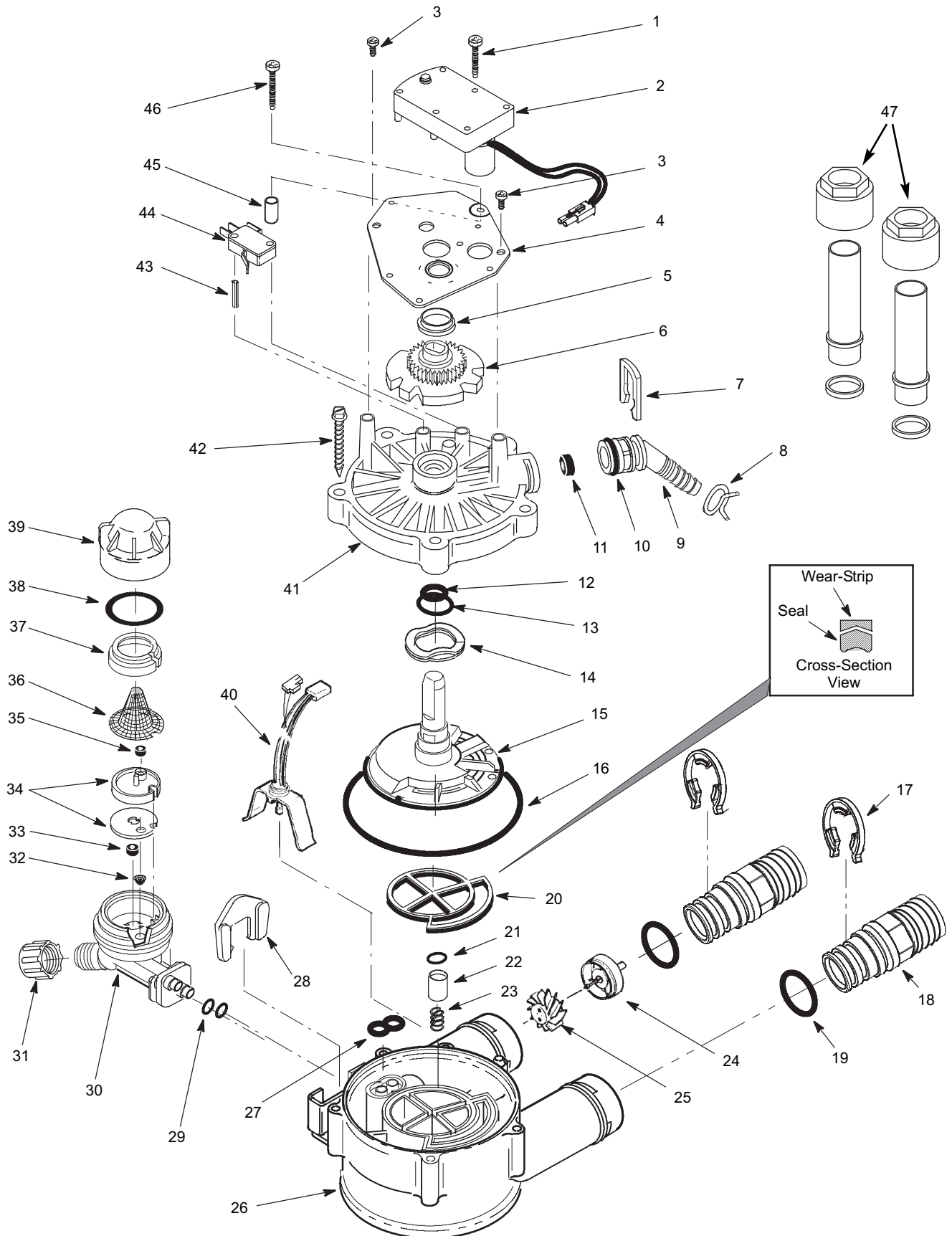
Questions? Call The Kenmore Water Line 1-800-426-9345

Parts List

Kenmore Model No. 625.383560		
B. BRINE VALVE ASSEMBLY		
Key No.	Part Number	Part Description
1	7168647	Ceramic Weight
2	0513860	Float Stop
3	7097202	Float (includes Key No. 4)
4	0516947	Float Seal
5	7220627	Float Rod & Stem
6	7308904	Guide Cap
7	7170288	O-Ring, 15/16" x 1-3/16"
8	0516211	Seal
9	0516924	Retainer, Bottom Seal
10	7116713	Clip
11	7308881	Brine Valve Body
12	7142942	Clip
13	7131365	Screen
14	7094979	Insert
15	7092294	Retaining Ring
16	7176161	O-Ring, 15/16" x 9/16"
17	7221746	Brine Tube
18	7113016	Tubing Assembly (includes Key Nos. 14, 15 & 16)
19	7171349	Cone Screen
20	7248706	Grounding Kit ●
● Included in parts bag, see page 43.		

Questions? Call The Kenmore Water Line 1-800-426-9345

Exploded View



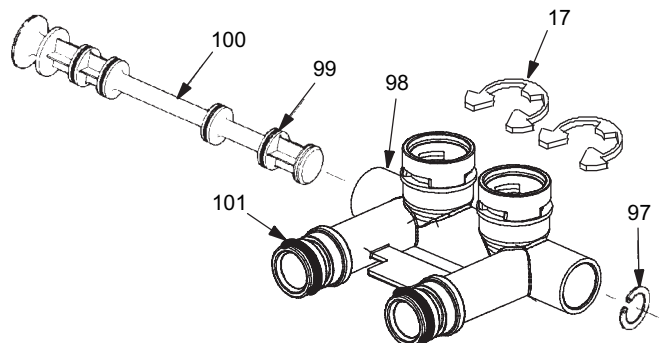
Questions? Call The Kenmore Water Line 1-800-426-9345

Parts List

Key No.	Part Number	Part Description
1	7224087	Screw, #8-32 x 1" (2 req.)
2	7286039	Motor (incl. 2 ea. of Key No. 1)
3	0900857	Screw, #6-20 x 3/8" (2 req.)
4	7231385	Motor Plate
5	0503288	Bearing
6	7284964	Cam and Gear
7	7142942	Clip (Drain)
8	0900431	Tubing Clamp ●
9	7024160	Drain Hose Adaptor
10	7170327	O-Ring, 5/8" x 13/16"
11	7092618	Flow Plug, 2.0
12	7170238	O-Ring, 7/16" x 5/8"
13	7170212	O-Ring, 3/4" x 15/16"
14	7082087	Wave Washer
15	7199232	Rotor & Disc
16	7170246	O-Ring, 3-3/8" x 3-5/8"
17	7116713	Clip (4 req.) ●
18	7278442	Installation Adaptor, 1" NPT (2 req.) ●
19	7170288	O-Ring (2 req.) ●
20	7134224	Rotor Seal
21	7170204	O-Ring, 3/8" x 9/16"
22	7092642	Plug (Drain Seal)
23	7129889	Spring
24	2204101	Turbine Support and Shaft
25	7117858	Turbine
26	7082053	Valve Body
27	7081764	Seal (Nozzle & Venturi)
28	7081201	Retainer (Nozzle & Venturi)
29	7170319	O-Ring, 1/4" x 3/8" (2 req.)
30	7081104	Nozzle & Venturi Housing

Key No.	Part Number	Part Description
31	1202600	Nut - Ferrule
32	7095030	Cone Screen
33	1148800	Flow Plug, .3 gpm
34	7114533	Nozzle & Venturi Gasket Kit
—	7204362	Gasket (only)
35	7084607	Flow Plug, .15 gpm
36	7146043	Screen
37	7167659	Screen Support
38	7170262	O-Ring, 1-1/8" x 1-3/8"
39	7199729	Cap
40	7309803	Wire Harness (Sensor)
41	7085263	Valve Cover
42	7074123	Screw, #10-14 x 2 (5 req.)
43	7077472	Expansion Pin
44	7030713	Switch
45	7117816	Spacer
46	7070412	Screw, #4-24 x 1-1/8 (flat head)
47	7254260	Installation Adaptor Kit, (includes 2 copper tubes, nuts, clips & washers) *
◆	7253808	Nozzle & Venturi Assembly (incl. Key Nos. 30 & 32-39)
◆	7129716	Seal Kit (incl. Key Nos. 12, 13, 16, 20, 21 & 27)
◆	7139999	Drain Tubing, 3/8" I.D. x 20 ft.
◆	42-34405	Flexible Connectors, 3/4"
◆	42-34407	Flexible Connectors, 1"
◆	7123613	Silicone Grease (for O-Rings)
* Not included		
◆ Not illustrated		
● Included in parts bag, see page 43.		

Key No.	Part Number	Part Description
97	0502206	Retainer Ring
98	7271262	Bypass Body
99	7105013	O-Ring, 13/16" x 1" (4 req.)
100	7129855	Stem
101	7170288	O-Ring, 15/16" x 1-3/16" (2 req.)
◆	7278434	Bypass Valve (Complete) ●



Questions? Call The Kenmore Water Line 1-800-426-9345

Get it fixed, at your home or ours!

Your Home

For expert troubleshooting and home solutions advice:

manage my home

www.managemyhome.com

For repair – **in your home** – of **all** major brand appliances, lawn and garden equipment, or heating and cooling systems, **no matter who made it, no matter who sold it!**

For the replacement parts, accessories and owner's manuals that you need to do-it-yourself.

For Sears professional installation of home appliances and items like garage door openers and water heaters.

1-800-4-MY-HOME[®] (1-800-469-4663)

Call anytime, day or night (U.S.A. and Canada)

www.sears.com www.sears.ca

Our Home

For repair of carry-in items like vacuums, lawn equipment, and electronics, call anytime for the location of your nearest

Sears Parts & Repair Service Center

1-800-488-1222 (U.S.A.)

www.sears.com

1-800-469-4663 (Canada)

www.sears.ca

To purchase a protection agreement on a product serviced by Sears:

1-800-827-6655 (U.S.A.)

1-800-361-6665 (Canada)

Para pedir servicio de reparación a domicilio, y para ordenar piezas:

1-888-SU-HOGAR[®]

(1-888-784-6427)

www.sears.com

Au Canada pour service en français:

1-800-LE-FOYER^{MC}

(1-800-533-6937)

www.sears.ca



© Registered Trademark / TM Trademark of KCD IP, LLC in the United States, or Sears Brands, LLC in other countries

© Marca Registrada / TM Marca de Fábrica de KCD IP, LLC en Estados Unidos, o Sears Brands, LLC en otros países

^{MC} Marque de commerce / ^{MD} Marque déposée de Sears Brands, LLC